

4006-[*] Polarized

4006-[*] [] Non-Polarized**

*Number of contacts;
Options are: **10, 14, 16, 20, 24, 26, 30, 34, 40, 50, 60, 64**

**For non-polar types
add **NP** after part number (eg. 4006-10NP)

FEATURES:

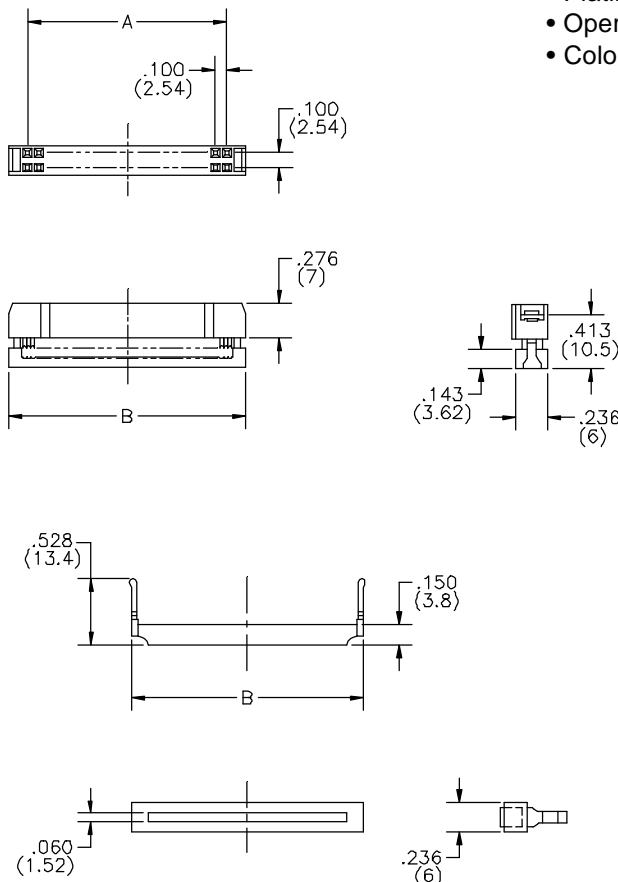
- Mates with Regal # 4075 & # 4076 series
- Center polarizing option
- Includes cable strain relief
- Standard .100" X .100" grid
- Terminates with .050" flat cable
- Assembled cover aids in cable alignment and allows for faster assembly

ELECTRICAL:

- Current rating: 1 AMP maximum
- Contact resistance: 10 milliohms maximum
- Insulation resistance: 1000 Megohms minimum
- Dielectric withstanding voltage: 1000 VAC minimum
- Operating voltage: 250 VAC maximum

MATERIAL:

- Insulator: UL94V-0 / PBT glass filled
- Contacts: Phosphor bronze
- Plating: 6µ" gold contact area over nickel underplate
- Operating temperature: -55°C to +105°C
- Color: Black



3.10	3.38	4006-64
2.90	3.18	4006-60
2.40	2.68	4006-50
1.90	2.18	4006-40
1.60	1.88	4006-34
1.40	1.68	4006-30
1.20	1.48	4006-26
1.10	1.38	4006-24
0.90	1.18	4006-20
0.70	0.98	4006-16
0.60	0.88	4006-14
0.40	0.68	4006-10
B	A	PART # & CONTACTS