

4082-[*]
Standard .100" X .100" pitch

*Number of contacts;
Options are:
10, 14, 16, 20, 26,
34, 40, 50

FEATURES:

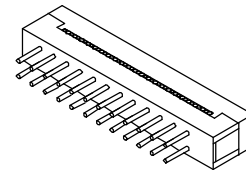
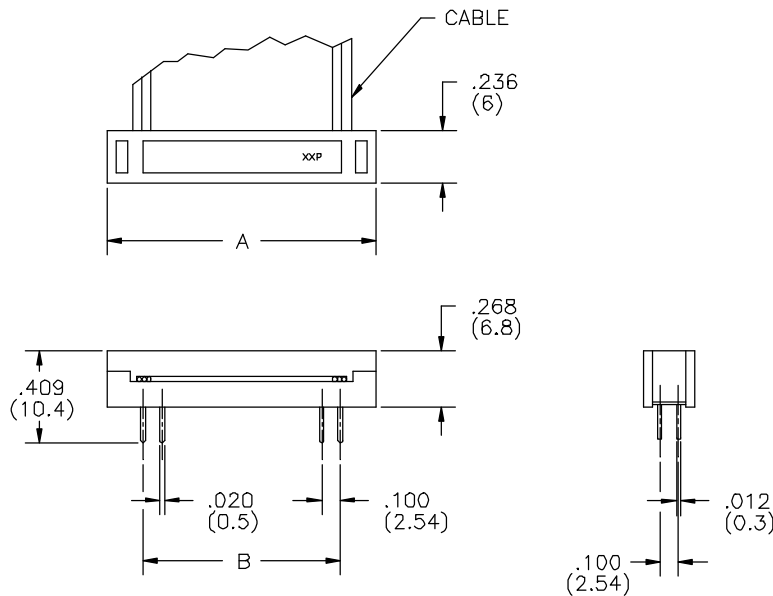
- Assembled cover aids in cable alignment and allows for faster assembly
- Terminates with .050" flat cable
- Eliminates need for shrouded header
- IDC termination to flat cable, no stripping needed

ELECTRICAL:

- Current rating: 1 AMP maximum
- Contact resistance: 20 milliohms maximum
- Insulation resistance: 1000 Megohms minimum
- Dielectric withstanding voltage: 1000 VAC minimum

MATERIAL:

- Insulator: UL94V0 / PBT glass filled
- Contacts: Phosphor bronze
- Plating: 6u" gold over nickel
- Operating temperature: -55°C to +105°C
- Color: Black



POS.	A	B
10	.706 (17.92)	.400 (10.16)
14	.906 (23.00)	.600 (15.24)
16	1.006 (25.54)	.700 (17.78)
20	1.206 (43.32)	.900 (22.86)
26	1.506 (38.24)	1.200 (30.48)
34	1.906 (48.40)	1.600 (40.64)
40	2.206 (56.02)	1.914 (48.62)
50	2.706 (68.72)	2.400 (60.96)