

### 4101-[\*]

2 Piece metalized plastic type

### 4102-[\*]

2 Piece metalized plastic F.C.C. type

\*Size; Options are: **9, 15, 25**

Grommets are required and sold separately. Specify type **G1** or **G2** at time of order.

#### FEATURES:

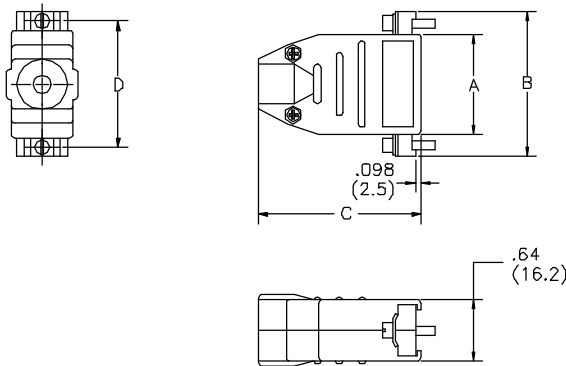
- Accommodates both standard & high density D-Subminiature connectors
- Fits multiple size cables
- 3 - Step material & grommets meet tough EMC requirements
- Low cost over most metal types

#### MATERIAL:

- ABS plastic with copper overplate and metalization over copper

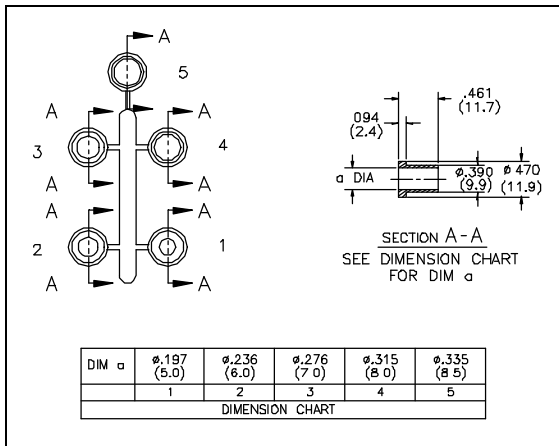
#### CABLE DIAMETER RANGES:

- 9 & 15 Position = .109" to .350"
- 25 Position = .190" to .460"



25	1.65 (41.8)	2.11 (53.5)	1.79 (45.5)	1.85 (47.0)
15	1.07 (27.1)	1.52 (38.6)	1.46 (37.2)	1.31 (33.3)
09	.77 (19.6)	1.24 (31.4)	1.64 (41.6)	.98 (24.9)
POS.	A	B	C	D

DIMENSION CHART



5	RA-A-1-1	CONDUCTIVE RUBBER GROMMET	1	CONDUCTIVE RUBBER	BLK	
4	RG-B-1-5	RUBBER GROMMET	1	PVC-60H	BLK	
3	#4-10.5	PLAIN SCREW	2	SPCC-ROD	NI-PLATING	WITH HEX-NUT
2	RE-25	HOUSING	2	ABS	GRY/BLK	
1	O22-SEM	PLAIN SCREW	2	SPCC-ROD	NI-PLATING	WITH SQ WASHER
NO	PARTS NO	NAME	QTY	MATERIAL	FINISH	REMARKS

PARTS LIST