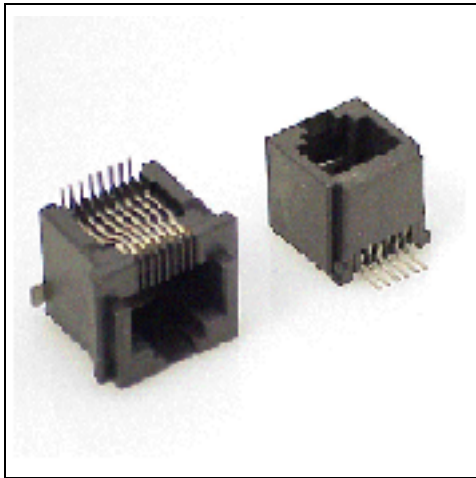


Modular Jack Top Entry Vertical Surface Mount



258-[*]-SMT Unshielded with internal ground pin

*Number of contacts; Options are:
4 = 6P4C (6 positions, 4 contacts)
6 = 6P6C (6 positions, 6 contacts)
8 = 8P8C (8 positions, 8 contacts)



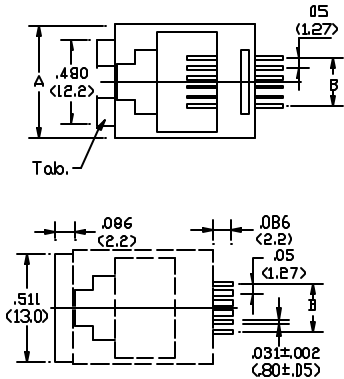
ELECTRICAL:

- Dielectric withstanding voltage: 1000 VAC
- Insulation resistance: 500 Megohms minimum
- Contact resistance: 15 milliohms maximum
- Current rating: 1 AMP maximum

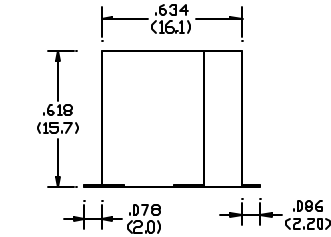
MATERIAL:

- Housing: UL94V-0 / glass filled
- Contacts: Phosphor bronze
- Plating: 30µ" gold over nickel
- Operating temperature: -55°C to +105°C

258-[6]-SMT

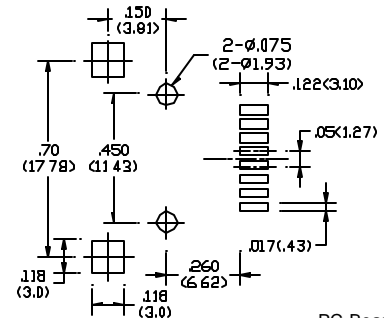
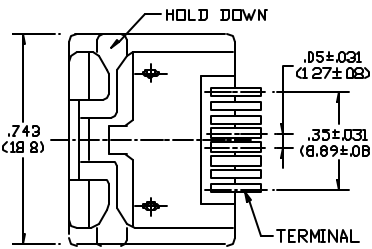
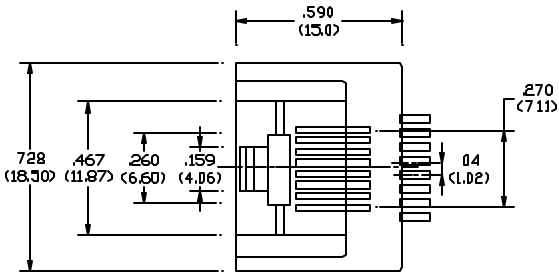


PC Board
Top View



No. of position	Dimensions	
	A	B
6	.520 (13.20)	.250 (6.35)
8	.600 (15.24)	.350 (8.89)

258-[8]-SMT



PC Board
Top View

030722