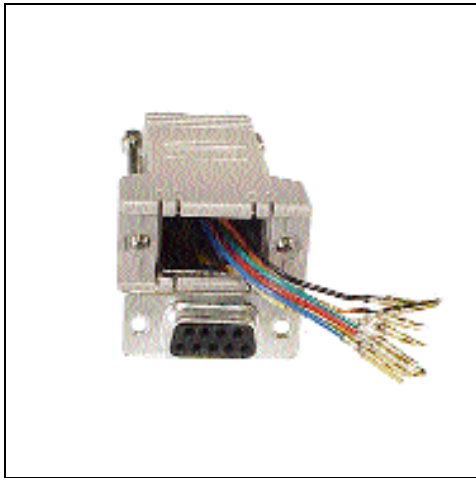




RoHS Compliant



29-EMI-8-[*]R 9 position
21-EMI-8-[*]R 25 position
 Shielded modular adapter with new EMC internal design shield

*Gender; Options are:
M = male **F** = female

FEATURES:

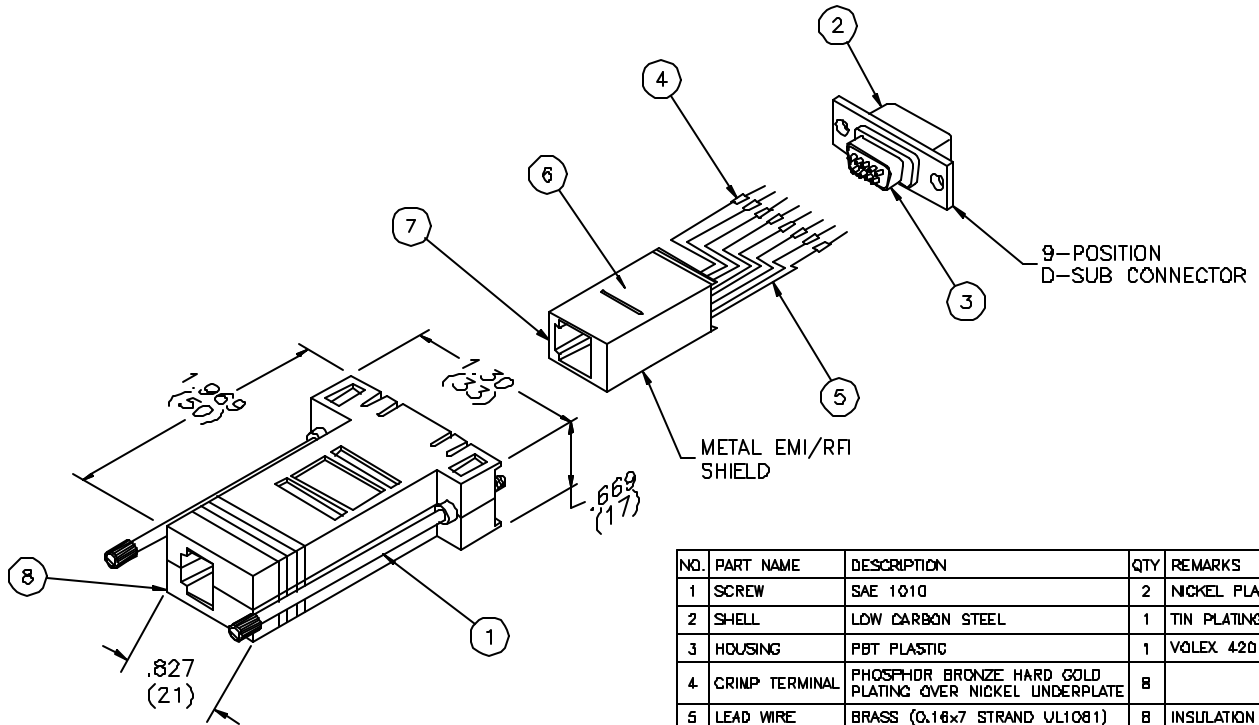
- One piece slimline housing
- Kit form - not pre-wired
- Kits provide on the spot wiring
- Rear release contacts
- FCC-68, sub part "F" compliant
- Internal metal shield for continued grounding from cable to panel
- Thumbscrews standard option
- Excellent programming device

ELECTRICAL:

- Current rating: Modular jack 1.5 AMP
 D-Subminiature .5 AMP
- Insulation resistance: Modular jack 500 Megohms minimum
 D-Subminiature 1000 Megohms minimum
- Dielectric withstanding voltage: Modular jack 1000 VAC
 D-Subminiature 1000VAC
- Contact resistance: Modular jack 15 milliohms maximum
 D-Subminiature 15 milliohms maximum

MATERIAL:

- Housing: UL94V-0 / PBT glass filled
- Conductor: phosphor bronze
- Finish: 50u" hard gold plating on contact area over 60u" nickel underplated
- Shield: phosphor bronze, 300u" nickel
- Operating temperature: -55°C to +105°C



NO.	PART NAME	DESCRIPTION	QTY	REMARKS
1	SCREW	SAE 1010	2	NICKEL PLATING
2	SHELL	LOW CARBON STEEL	1	TIN PLATING
3	HOUSING	PBT PLASTIC	1	VOLEX 420 STD
4	CRIMP TERMINAL	PHOSPHOR BRONZE HARD GOLD PLATING OVER NICKEL UNDERPLATE	8	
5	LEAD WIRE	BRASS (0.16x7 STRAND UL1081)	8	INSULATION
6	SHIELD	PHOSPHOR BRONZE 300u" NICKEL PLATING	1	
7	JACK	ABS 94V-0	1	
8	HOOD	ABS 94V-0	1	