

4075-[*] Standard .100" pitch
Straight

4076-[*] Standard .100" pitch
Right angle

*Number of contacts;
Options are:
10, 14, 16, 20, 24, 26,
30, 34, 40, 50, 60, 64

FEATURES:

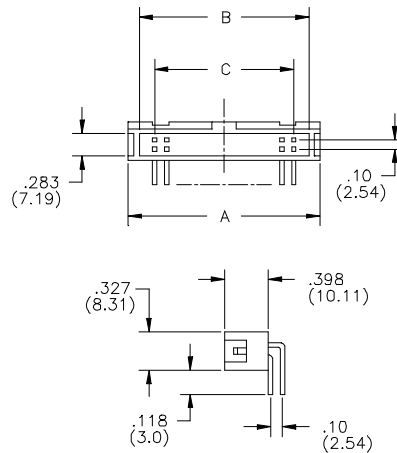
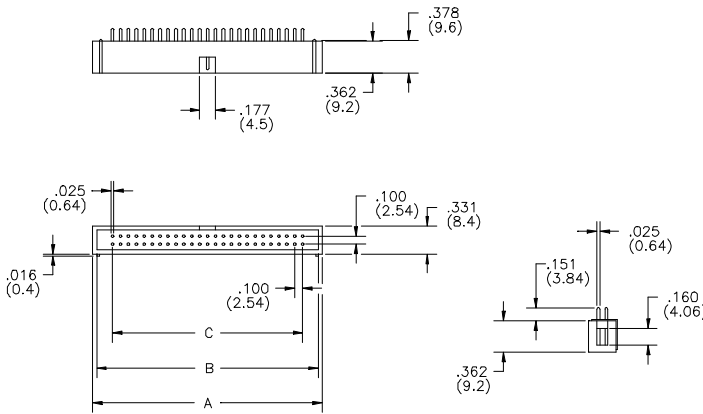
- Full 4 - side shroud pin protection
- Polarized feature for proper orientation
- Mates with Regal #4006 series

ELECTRICAL:

- Current rating: 3 AMP maximum
- Contact resistance: 15 milliohms maximum
- Insulation resistance: 1000 Megohms minimum
- Dielectric withstanding voltage: 500 VAC minimum

MATERIAL:

- Insulator: UL94V-0 / PBT glass filled
- Contacts: Brass
- Plating: 6µ" gold over nickel
- Operating temperature: -55°C to +105°C
- Color: Black



4075 Series
(Straight)

POSITION	HEADER DIMENSIONS		
	A	B	C
10	.799 (20.30)	.713 (18.10)	.400 (10.16)
12	.899 (22.84)	.813 (20.64)	.500 (12.70)
14	.999 (25.38)	.913 (23.18)	.600 (15.24)
16	1.099 (27.92)	1.013 (25.72)	.700 (17.78)
20	1.299 (33.00)	1.213 (30.80)	.900 (22.867)
24	1.499 (38.08)	1.413 (35.88)	1.100 (27.94)
26	1.599 (40.62)	1.573 (39.82)	1.200 (30.48)
30	1.799 (45.70)	1.713 (43.50)	1.400 (35.56)
34	1.999 (50.78)	1.913 (48.58)	1.600 (40.64)
40	2.299 (58.40)	2.213 (56.20)	1.900 (48.26)
50	2.799 (71.10)	2.713 (68.90)	2.400 (60.96)
60	3.299 (83.80)	3.213 (81.60)	2.900 (73.66)
64	3.499 (88.88)	3.413 (86.68)	3.100 (78.74)

4076 Series
(Right angle)

POSITION	HEADER DIMENSIONS		
	A	B	C
10	0.90 (22.88)	0.71 (18.00)	0.40 (10.16)
14	1.10 (27.96)	0.91 (23.10)	0.60 (15.24)
16	1.20 (30.50)	1.01 (25.70)	0.70 (17.76)
20	1.40 (35.58)	1.21 (30.78)	0.90 (22.86)
24	1.60 (40.66)	1.41 (35.86)	1.10 (27.94)
26	1.70 (43.20)	1.51 (38.40)	1.20 (30.48)
30	1.90 (48.28)	1.71 (43.48)	1.40 (35.56)
34	2.10 (53.36)	1.91 (48.50)	1.60 (40.64)
40	2.40 (60.98)	2.21 (56.10)	1.90 (48.26)
50	2.90 (73.68)	2.71 (68.80)	2.40 (60.96)
60	3.40 (86.38)	3.21 (81.50)	2.90 (73.66)
64	3.60 (91.46)	3.41 (86.60)	3.10 (78.74)

030722