

4081-[*]S Standard .100" pitch
Straight
4081-[*]R Standard .100" pitch
Right angle

*Number of contacts;
Options are:
**10, 12, 14, 16, 20, 24, 26,
30, 34, 40, 50, 60, 64**

FEATURES:

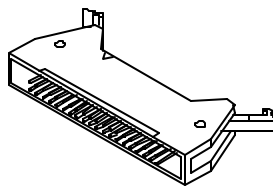
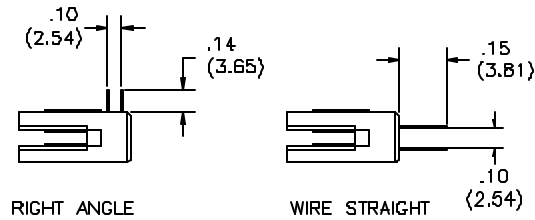
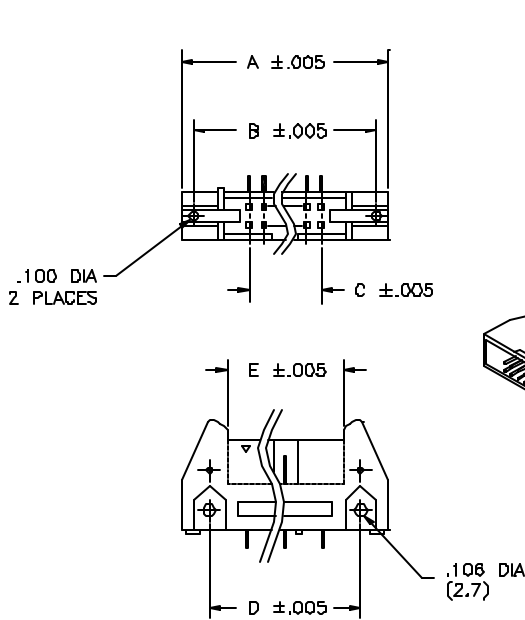
- Full 4 - side shroud pin protection
- Polarized feature for proper orientation
- Mates with Regal #4006 series

ELECTRICAL:

- Current rating: 3 AMP maximum
- Contact resistance: 15 milliohms maximum
- Insulation resistance: 1000 Megohms minimum
- Dielectric withstanding voltage: 500 VAC minimum

MATERIAL:

- Insulator: UL94V-0 / PBT glass filled
- Contacts: Phosphor bronze
- Plating: 6µ" gold over nickel
- Operating temperature: -55°C to 105°C
- Color: Black



DIMENSION CHART					
POS.	A	B	C	D	E
10	1.28 (32.00)	1.10 (27.84)	.40 (10.16)	.86 (21.84)	.71 (18.03)
12	1.36 (34.54)	1.21 (30.84)	.50 (12.70)	.96 (24.38)	.81 (20.50)
14	1.48 (37.08)	1.30 (33.02)	.60 (15.24)	1.08 (26.92)	.91 (23.04)
16	1.56 (39.62)	1.40 (35.56)	.70 (17.78)	1.16 (29.48)	1.01 (25.58)
20	1.78 (44.70)	1.39 (40.46)	.90 (22.86)	1.35 (34.54)	1.21 (30.68)
24	1.96 (49.78)	1.80 (45.72)	1.10 (27.94)	1.56 (39.62)	1.41 (35.74)
26	2.06 (52.32)	1.90 (48.26)	1.20 (30.48)	1.66 (42.16)	1.51 (38.28)
30	2.26 (57.40)	2.10 (53.34)	1.40 (35.56)	1.88 (47.24)	1.71 (43.38)
34	2.46 (62.48)	2.30 (58.42)	1.60 (40.64)	2.06 (52.32)	1.91 (48.44)
40	2.76 (70.10)	2.60 (66.04)	1.90 (48.26)	2.36 (59.94)	2.23 (56.60)
50	3.26 (82.80)	3.10 (78.74)	2.40 (60.96)	2.86 (72.64)	2.71 (68.78)
60	3.76 (95.50)	3.60 (91.44)	2.90 (73.80)	3.36 (85.34)	3.21 (81.48)
64	3.96 (100.58)	3.80 (96.52)	3.10 (78.74)	3.56 (90.42)	3.41 (86.54)