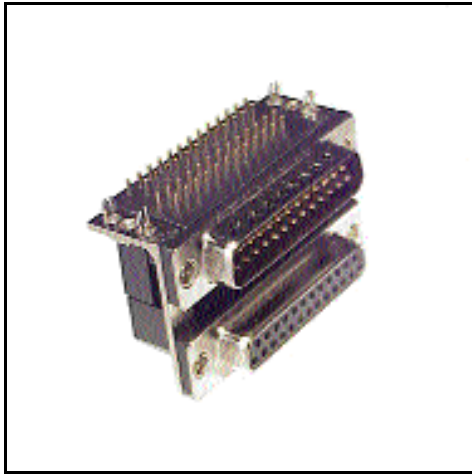


# D-Subminiature Dual Port

RoHS Compliant



40D[\*][\*\*][\*][\*\*][\*\*][\*]AT  
e.g. 40D25S25SMAT

\*Number of contacts; Options are: 9, 15, 25, 37 (37 is a special order)  
First contact size references top connector

\*\*Gender; Options are: P = Male, S = Female

\*\*\*Pitch Size; Options are:  
L = .900 | M = .750 | K = .625 |

### FEATURES:

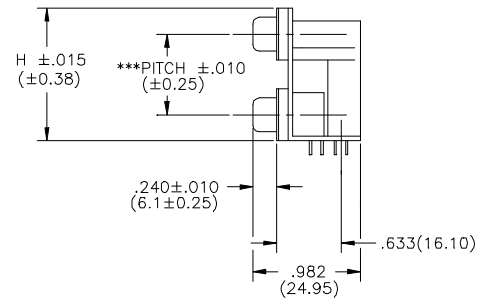
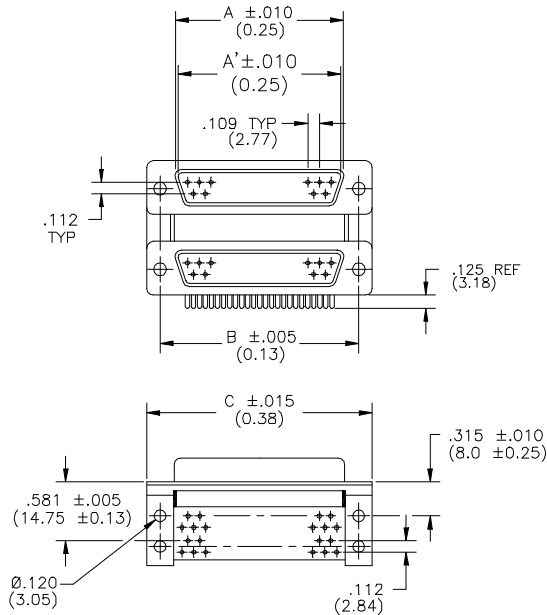
- | Maximizes PCB space
- | Maximizes panel space
- | Three height options
- | Durability: 200 cycles
- | Bright tin shell for excellent EMC grounding

### ELECTRICAL:

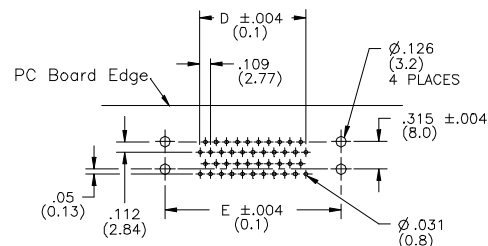
- | Current rating: 5 AMP maximum
- | Contact resistance: 15 milliohms maximum
- | Insulation resistance: 1000 Megohms minimum
- | Dielectric withstanding voltage: 1000 VAC minimum

### MATERIAL:

- | Insulator: UL94V-0 / PBT glass filled
- | Contacts: Pin = Brass  
Socket = Phosphor bronze
- | Plating: 6 | Gold over nickel underplate
- | Operating temperature: -55 | to +105 |
- | Color: Black



P.C. BOARD LAYOUT TOP VIEW



A' Female	A Male	B	C	D	E	NO. OF PINS
.642 (16.32)	0.67 (16.92)	0.78 (24.99)	1.21 (30.81)	0.44 (11.08)	0.98 (24.99)	9
0.97 (24.56)	0.99 (25.25)	1.31 (33.32)	1.54 (39.14)	0.76 (19.39)	1.31 (38.32)	15
1.51 (38.36)	1.53 (38.96)	1.85 (47.04)	2.09 (53.10)	1.31 (33.24)	1.85 (47.04)	25
2.16 (54.84)	2.18 (55.42)	2.50 (63.50)	2.73 (69.32)	1.96 (49.86)	2.50 (63.50)	37

**NOTE:**  
37 position is a Special Order

PITCH/TYPE/DISTANCE	***	H
.625 (15.88) = KAT	K	1.04 (26.43)
.750 (19.05)	M	1.24 (31.6)
.900 (22.86)	L	1.39 (35.41)

080512

120 San Lucar Court | Sunnyvale, CA 94089 | Phone 800/882-8086 | Fax 800/345-2831

Visit [www.regalusa.com](http://www.regalusa.com) | E-mail [hal@regalusa.com](mailto:hal@regalusa.com)