

Mini Dins For Overmolded Cables



4131-[*]-[**]

*Number of contacts;
Options are:
3, 4, 5, 6, 7, 8, 9

** Gender; Options are:
M = Male
F = Female

FEATURES:

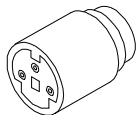
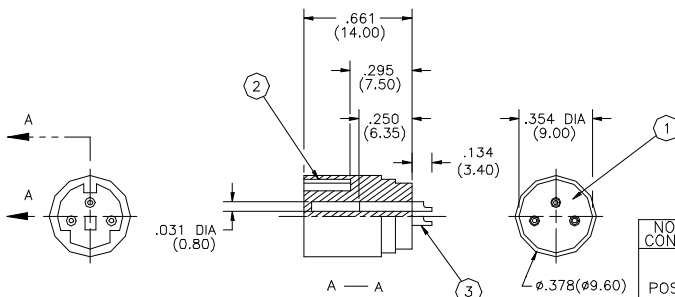
- Metal cover: Nickel plated
- Easy assembly
- Solder type design
- Polarized and keyed to prevent mismatching

ELECTRICAL:

- Current rating: 1 AMP maximum
- Contact resistance: 20 Milliohms maximum
- Insulation resistance: 50 Megohms minimum
- Dielectric withstanding voltage: 250 VAC

MATERIAL:

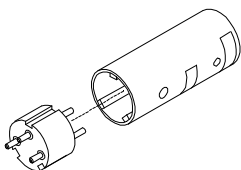
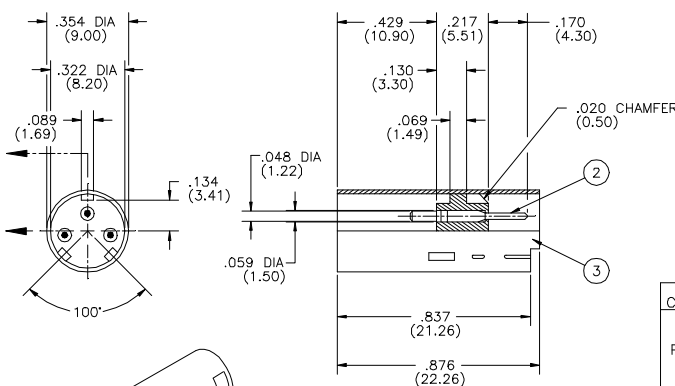
- Shield: Brass, nickel plated
- Contact: Pin = Brass, tin plated
Socket = Phosphor bronze, tin plated
- Insulator: UL94V-0 / PBT glass filled
- Operating temperature: -55°C to +105°C
- Color: Black



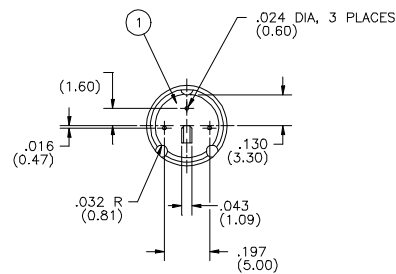
Female

NO. OF CONTACTS	3P	4P	5P	6P	7P	8P	9P
POSITION							

ITEM	DESCRIPTION	MATERIAL	FINISH	QTY
1	INSULATOR	P.B.T.	BLACK	1
2	SHIELD	BRASS	NICKEL PLATED	1
3	SOLDER TERMINAL	PHOSPHOR BRONZE	TIN PLATED	A/R



Male



NO. OF CONTACTS	3P	4P	5P	6P	7P	8P	9P
POSITION							

ITEM	DESCRIPTION	MATERIAL	FINISH	QTY
1	INSULATOR	P.B.T.	BLACK	1
2	CONTACT (LATHE PIN)	BRASS	TIN PLATED	9
3	SHIELD	BRASS	NICKEL PLATED	1

030722