

5145-6-FT

FEATURES:

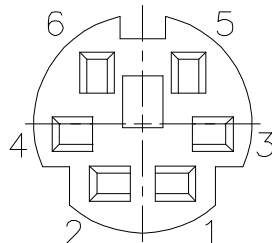
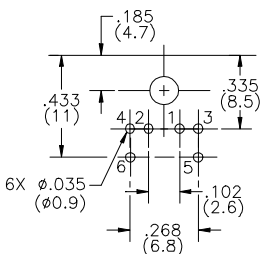
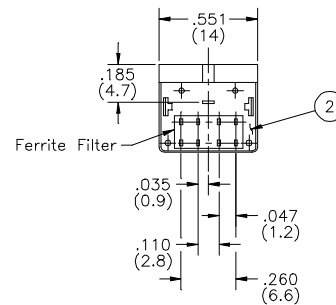
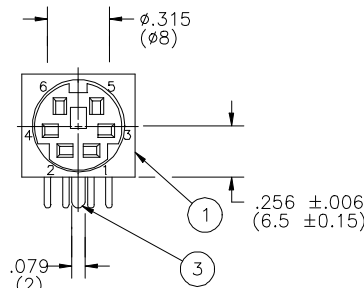
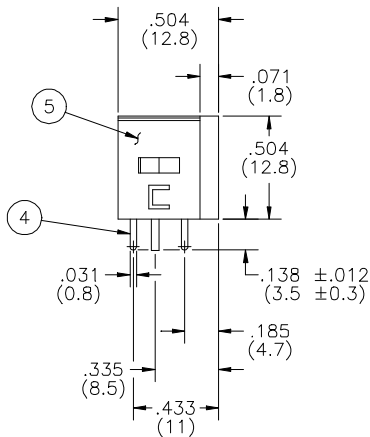
- Ferrite filter and metal shield for EMI suppression
- Mates with Regal #4031 series

ELECTRICAL:

- Current rating: 2 AMP maximum
- Insulation resistance: 500 Megohms minimum
- Contact resistance: 20 milliohms maximum
- Dielectric withstanding voltage: 1000 VAC
- Operating temperatures: -55°C to +125°C

MATERIALS:

- Housing: UL94V-0 / PBT glass filled
- Color: Gray
- Contacts: Phosphor bronze
- Plating: 6µ" gold over nickel underplate



ITEM	DESCRIPTION	QTY	MATERIAL AND SPEC
1	BODY	1	PBT +15KGF UL 94V-0
2	COVER	1	PBT +15KGF UL 94V-0 BLACK COLOR
3	EARTH TERMINAL	1	PBR-H 0.4t NICKEL PLATED
4	CONTACTOR	6	PBR-H 0.2t SILVER PLATED
5	SHIELDING PLATE	1	PBR-H 0.35t Sm/Ph (90/10) PLATED