

## P/N 5145P3-3HR

\*Type of connector; Options are:  
**P3** = Shielded with conductive gasket  
**H** = High temperature material in Housing  
**R** = RoHS

\*\*Number of contacts; Options are:  
**3, 4, 5, 6, 7, 8**

### FEATURES:

- Metal shield provides EMI suppression
- P3 gasket option for demanding EMI environment
- Mates with Regal #4031 series

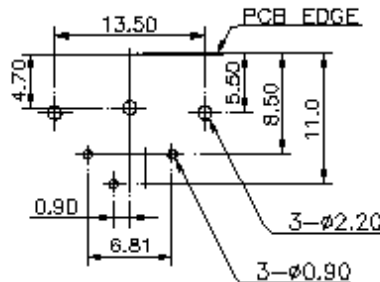
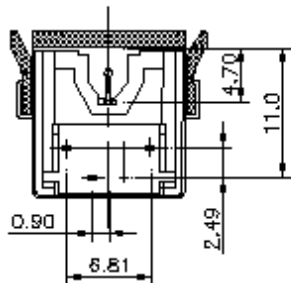
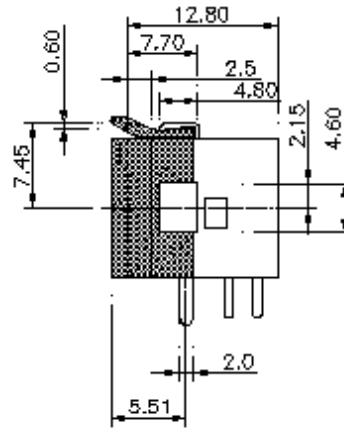
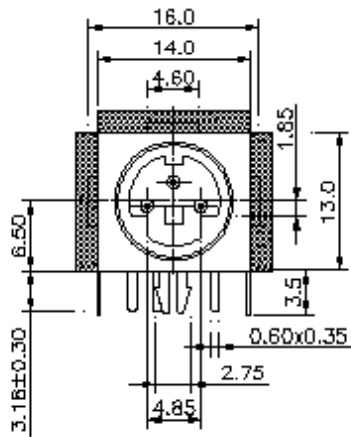
**\*This device is RoHS compliant**

### ELECTRICAL:

- Current rating: 2 AMP maximum
- Insulation resistance: 500 Megohms minimum
- Contact resistance: 20 milliohms maximum
- Dielectric withstanding voltage: 1000 VAC
- Operating temperatures: -55°C to +125°C

### MATERIALS:

- Housing: UL94V-0 / HTN glass filled
- Color: Black and White(indicates high temperature version)
- Contacts: Phosphor bronze
- Plating: 6µ" gold over nickel underplate
- Shield: Nickel, Plated With 120u" Thickness. Over 50u" Min. Thickness Cu.



**PCB RECOMMENDED LAYOUT  
(BOTTOM VIEW)**