

641D-BK

8 positions, 8 contacts (8P8C)
7" Wire leads with spade lugs

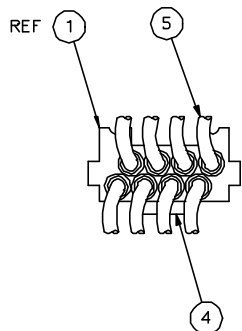
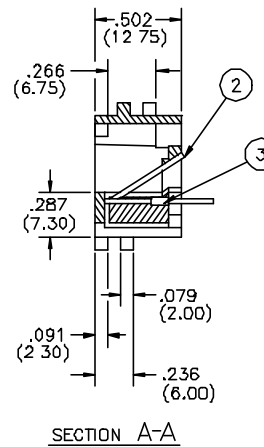
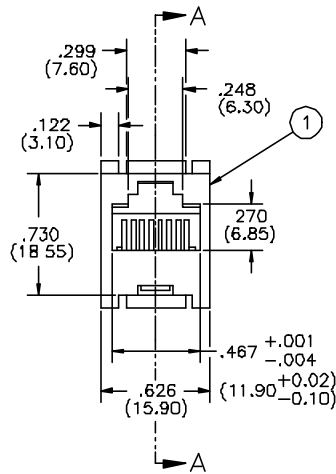


ELECTRICAL:

- Insulation resistance: 500 Megohms minimum
- Dielectric withstanding voltage: 1000 VAC
- Contact resistance: 30 milliohms maximum

MATERIALS:

- Insulator: UL94V-0 / PBT glass filled
- Contacts: Phosphor bronze
- Plating: 6µ" gold over nickel
- Color: Black
- Operating temperature: -55°C to +105°C



| ITEM | DESCRIPTION | QTY | REMARKS |
|------|----------------|-----|---------|
| 1 | HOUSING | 1 | |
| 2 | GOLD WIRE | 2-8 | CG191-H |
| 3 | TERMINAL | 2-8 | |
| 4 | INSERT HOUSING | 1 | |
| 5 | LEAD WIRE | 2-8 | |