



4017-[*]-[]** Male metal face

4017PL-[*] Male low profile metal face

*Number of contacts; Options are:
9, 15, 25, 37

**Mounting style; Options are:

A = Thru hole
T = 4-40 flush inserts
PL = Plastic low profile strain relief
 (All includes strain reliefs)

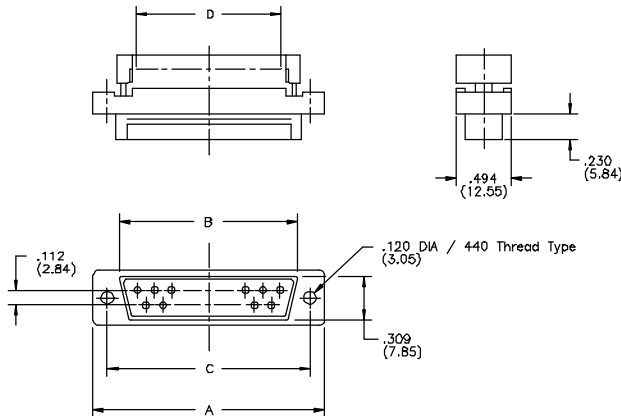
ELECTRICAL:

- Current Rating: 1 AMP maximum
- Temperature: -55°C to 105°C
- Insulation Resistance = 1000 Megohms minimum
- Contact resistance = 10 milliohms maximum

MATERIAL:

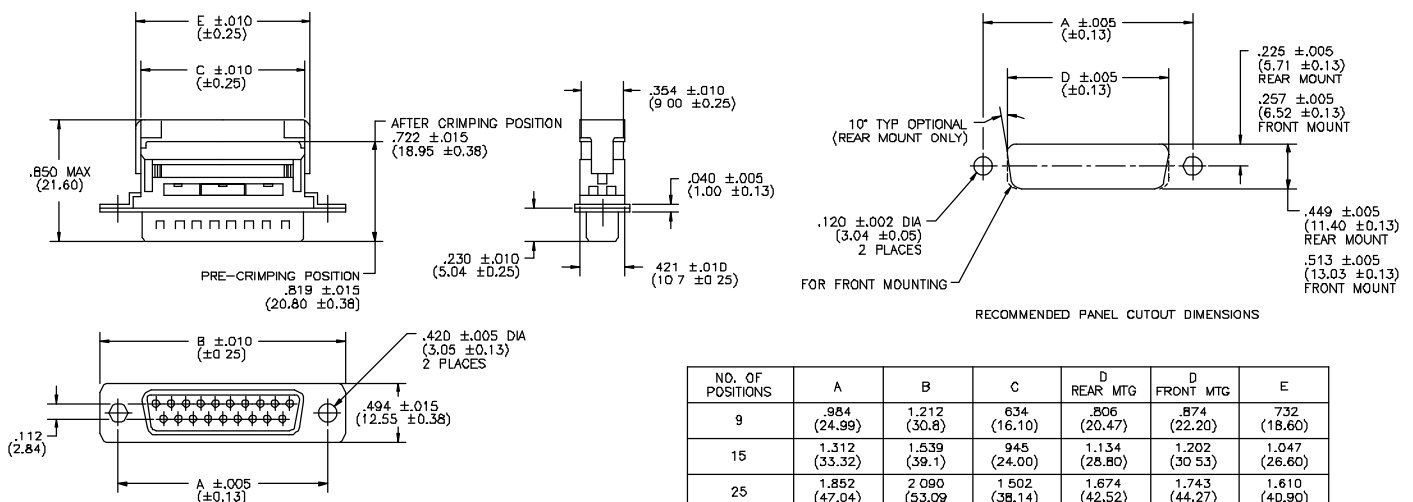
- Shell: Bright Tin Plate
- Insulators: UL94V-0 / PBT Glass Filled
- Color: Black
- Contacts: Pin = Brass
 Socket = Phosphor Bronze
- Plating: 6µ" Gold Over Nickel

4017



45.72 1.80	63.50 2.50	55.42 2.18	69.31 2.73	37
30.48 1.20	47.04 1.85	39.06 1.54	53.04 2.09	25
17.78 0.70	33.32 1.31	25.24 0.99	39.14 1.54	15
10.16 0.40	24.99 0.98	16.91 0.67	30.81 1.21	9
D	C	B	A	SHELL SIZE CONTACTS

4017PL



NO. OF POSITIONS	A	B	C	D REAR MTG	D FRONT MTG	E
9	.984 (24.99)	1.212 (30.8)	.634 (16.10)	.806 (20.47)	.874 (22.20)	.732 (18.60)
15	1.312 (33.32)	1.539 (39.1)	.945 (24.00)	1.134 (28.80)	1.202 (30.53)	1.047 (26.60)
25	1.852 (47.04)	2.090 (53.09)	1.502 (38.14)	1.674 (42.52)	1.743 (44.27)	1.610 (40.90)
37	2.500 (63.50)	2.732 (69.4)	2.150 (54.60)	2.326 (59.08)	2.391 (60.73)	2.248 (57.10)