



**4018-[\*]-[\*\*]** Female metal face

**4018-[\*]-PL** Female low profile metal face

\*Number of contacts; Options are:  
**9, 15, 25, 37**

\*\*Mounting style; Options are:  
**A = Thru hole**  
**T = 4-40 flush inserts**  
**PL = Plastic low profile strain relief**  
(All includes strain reliefs)

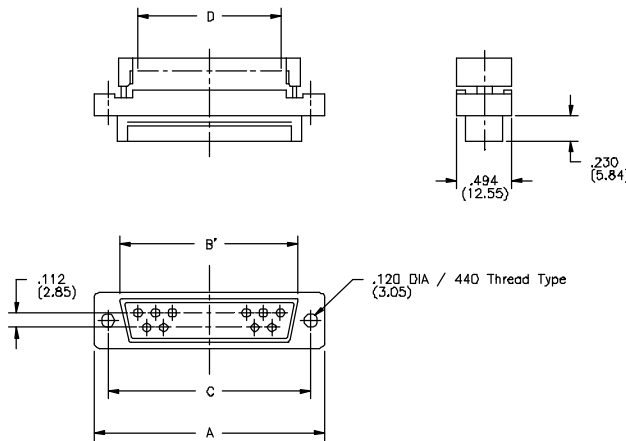
**ELECTRICAL:**

- Current rating: 1 AMP maximum
- Temperature: -55°C to 105°C
- Insulation resistance: 1000 Megohms minimum
- Contact resistance: 10 milliohms maximum

**MATERIAL:**

- Shell : Bright tin plate
- Insulators: UL94V-0 / PBT glass filled
- Color: Black
- Contacts: Pin = Brass Socket = Phosphor bronze
- Plating: 6u" Gold over nickel

**4018-[\*]-[\*\*]**



45.72 1.80	63.50 2.50	69.31 2.73	54.76 2.16	C 37
30.48 1.20	47.04 1.85	53.04 2.09	38.30 1.51	B 25
17.78 0.70	33.32 1.31	39.14 1.54	24.58 0.97	A 15
10.16 0.40	24.99 0.98	30.81 1.21	16.25 0.64	E 9
D	C	A	B'	SHELL SIZE CONTACTS

**4018-[\*]-PL**

