

- 951-[\*]-SMT** 0.453" Unshielded, surface mount
- 951-[\*]-PTSMT** 0.460" shielded, surface mount w / Tabs
- 951-[\*]-NPTSMT** 0.460" shielded, surface mount w / o Tabs

\*Number of contacts; Options are:

- 4** = 6P4C (6 positions, 4 contacts)
- 6** = 6P6C (6 positions, 6 contacts)
- 8** = 8P8C (8 positions, 8 contacts)
- 10** = 10P10C (10 positions, 10 contacts)



**FEATURES:**

- Ultra low profile
- Through hole mount

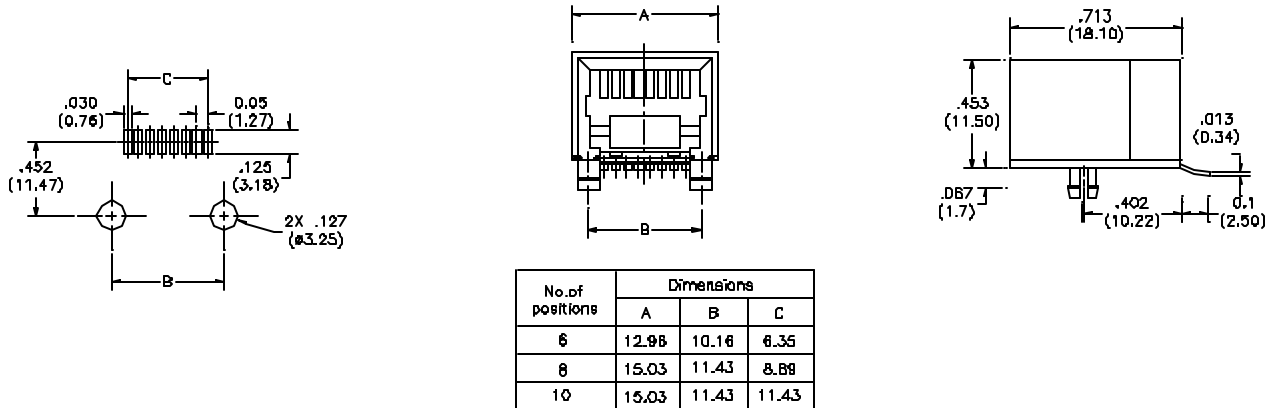
**ELECTRICAL:**

- Contact resistance: 15 milliohms maximum
- Insulation resistance : 500 megohms minimum
- Contact rating: 1.5 AMP maximum

**MATERIAL:**

- Insulator: UL94V-0 / PBT glass filled
- Contacts: Phosphor bronze
- Plating: 6µ" gold over nickel in contact area
- Temperature rating: -55°C to 125°C

**951-SMT Unshielded**



**951-PTSMT Shielded w / Tabss**

