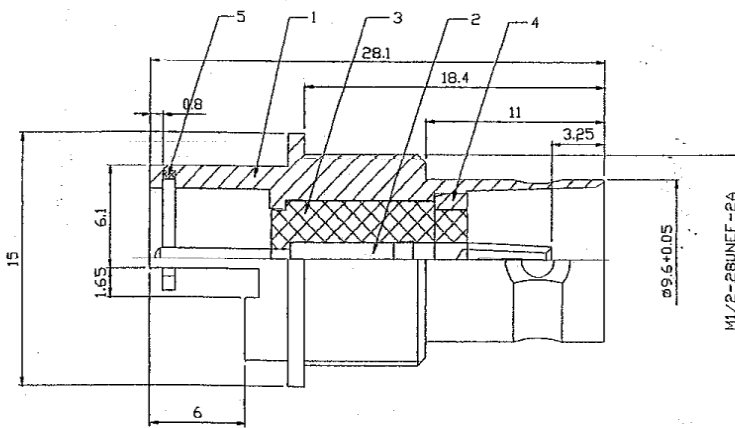
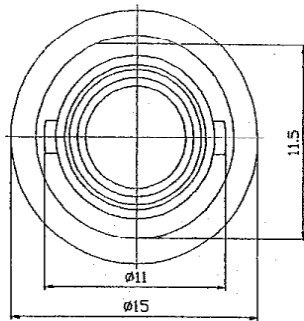


5 | 4 | 3 | 2 | 1

DWG NO. BNC-31101-HM-75R

RoHS COMPLIANT

REV	ECO NO.	DATE	BY	APP'D
A	REL TO PRODUCTION PER ECO 001	1/22/10	KL	



ELECTRICAL
 Impedance: 75 Ohms
 Insulation resistance: 5000 MegOhms
 Contact resistance: 2 MilliOhms
 Dielectric withstanding voltage: 1500V
 Frequency range: 0~4G Hz

MATERIAL
 1.Body: HP59-1 Nickel plated
 2.Contact: Hp59-1 with gold plated
 3.Insulator: Teflon
 4.Lock washer: HP59-1 Nickel plated
 5.Mounting washer: HP59-1 Nickel plated
 Durability: 500 Min.
 Operating temperature range: -40°C ~+155°C

Tolerance	
.x	±0.2
.xx	±0.1
ang.	±2'
UNIT: mm	

CONFIDENTIAL



© Copyright 2010 Regal Electronics, Inc.
 This drawing is the property of Regal Electronics and contains confidential information, trade secret information and/or know-how which is the property of Regal Electronics. By accepting this drawing, the recipient agrees not to provide, or otherwise make available, the drawing or any information or know-how embodied therein, to any third party without prior written authorization.

DRAWN:	KIM	DATE	1/22/10
CHECKED:		DATE	
ENGINEER:		DATE	
APPROVED:		DATE	
APPROVED:		DATE	
APPROVED:		DATE	

TITLE: BNC CONNECTOR PCB MOUNT		
SIZE	DRAWING NO.	REV
B	BNC-31101-HM-75R	A
SCALE:	SHEET 1 OF 1	
NONE		

5 | 4 | 3 | 2 | 1

D
C
B
A
C-BNC-31101-HM-75R
A