

RoHS Compliant



**BNC 50T**  
(50 Ohm)

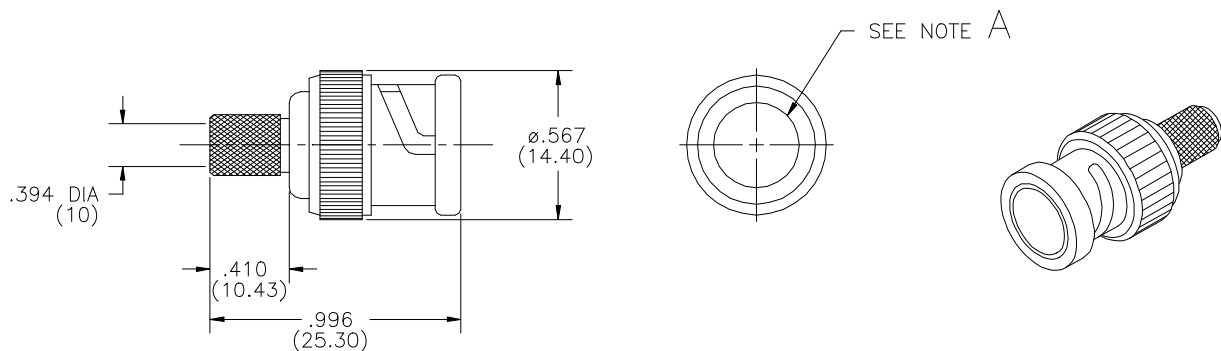
**BNC 75T**  
(75 Ohm)

**ELECTRICAL:**

- Impedance: 50 & 75 ohm
- Contact resistance: 15 milliohms maximum
- Insulation resistance: 5000 Megohms minimum
- Dielectric withstanding voltage: 1500 VAC one minute

**MATERIAL:**

- Insulator: Polypropylene UL94-HB
- Contacts: Phosphor bronze
- Plating: 6μ" gold over nickel in contact area
- Operating temperature: -55°C to +85°C



NOTE A

- 1) 50Ω, 5%, 1/2 WATT
- 2) 75Ω, 5%, 1/2 WATT

TERMINATOR WITH 1/2 WATT, ±5%, RESISTORS