

BNC RIGHT ANGLE WITH LED



RoHS Compliant



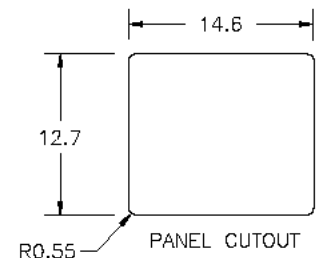
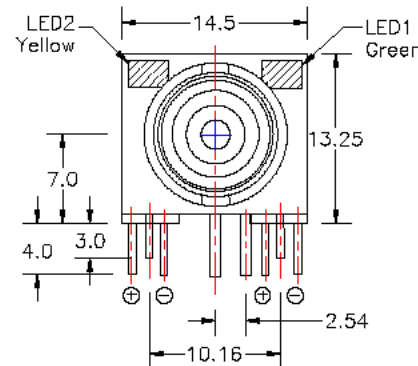
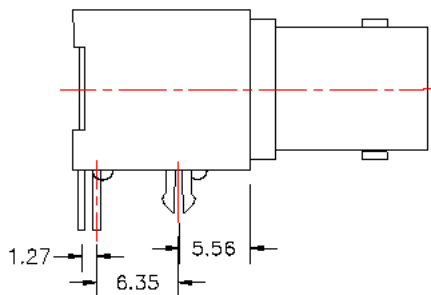
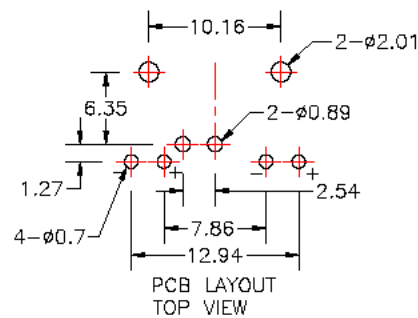
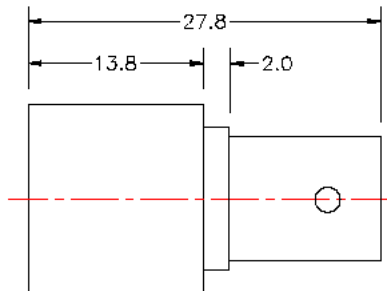
BNC31201-LD-50R
BNC31201-LD-75R

MATERIAL:

- Center Contact: Gold Plated
- Inner Insulator: Polypropylene UL 94HB
- Housing: UL94V-0 PBT
- Yellow and Green Rectangular LEDs
- Temperature Range: -55°C to +85°C

ELECTRICAL:

- Impedance: 75 or 50 Ohms
- Frequency Range: 0~1GHz
- Operating Voltage: 500Vrms
- Contact Resistance: 3.0 MilliOhms Max
- Dielectric Withstanding Voltage: 1500 VRMS
- Insulation Resistance: 5000 MegOhms Min.



081025