

# BNC WITH CAPACITOR FILTERING RIGHT ANGLE



RoHS Compliant

**BNC 31201F-HB-50R     50 Ohms**  
**BNC 31201F-HB-75R     75 Ohms**

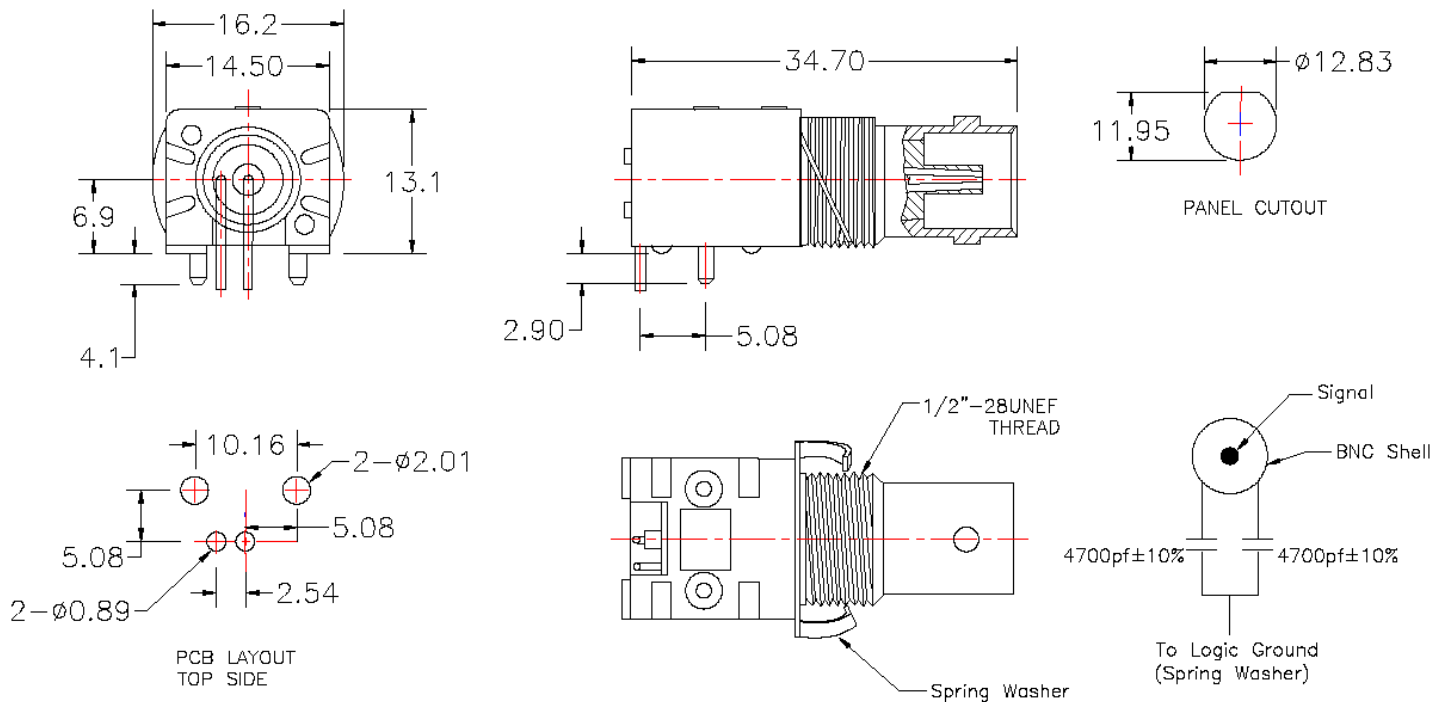


**MATERIAL:**

Insulator: Polypropylene UL 94HB  
 Contacts: Gold Plated  
 Housing: PBT +30% Glass Fiber UL:94V-0  
 Operating Temperature: -55°C to +85°C

**ELECTRICAL:**

Impedance: 50 or 75 ohms  
 Frequency range: 0 ~ 1.0 GHz  
 Return loss: -30dB Min. / 750MHz  
 Operating Voltage: 500 VRMS  
 Dielectric withstanding voltage: 1500VRMS  
 Insulation resistance: 5000 MegOhms Minimum



080118