

BNC 31201-L[*]-[**]R

*Color; Options are:

B = Black

W = White

M = Shielded metal case

**Ohms; Options are:

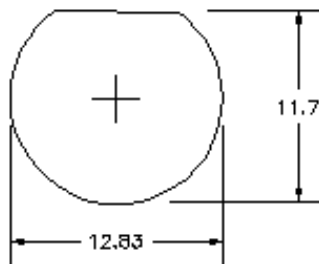
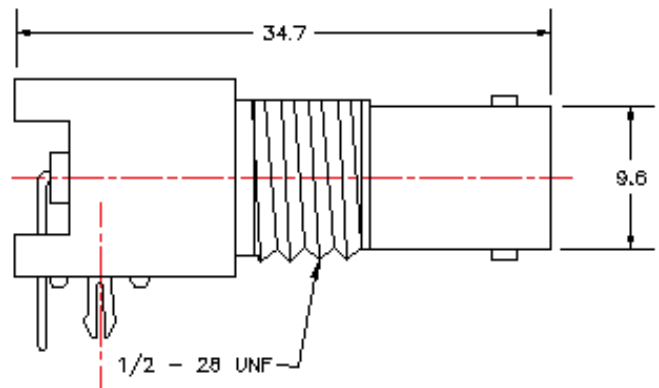
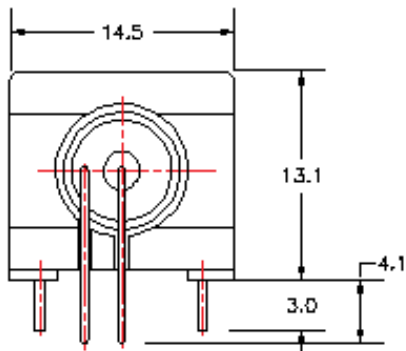
50, 75

ELECTRICAL:

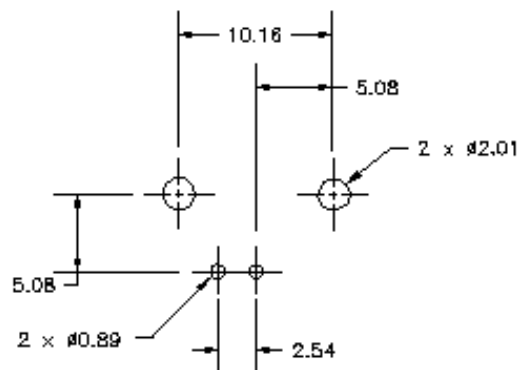
- Impedance: 50 & 75 ohms
- Contact resistance: 3.0 Milliohms Max.
- Insulation resistance: 5000 Megohms Min.
- Dielectric withstanding voltage: 1500 VRMS

MATERIAL:

- Insulator: Polypropylene UL 94HB
- Contacts: Phosphor bronze, Gold flash
- Housing: UL 94 V0 PBT with glass fiber
- Operating temperature: -55°C to +85°C



PANEL CUTOUT



PCB LAYOUT TOP VIEW