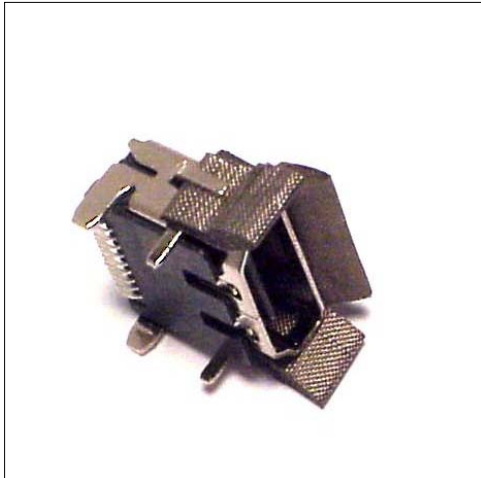


HDMI 19 PIN SOCKET 90° WITH GASKET



RoHS Compliant

HDMIP3-19FPSMT EMI Gasket Style Shield



FEATURES:

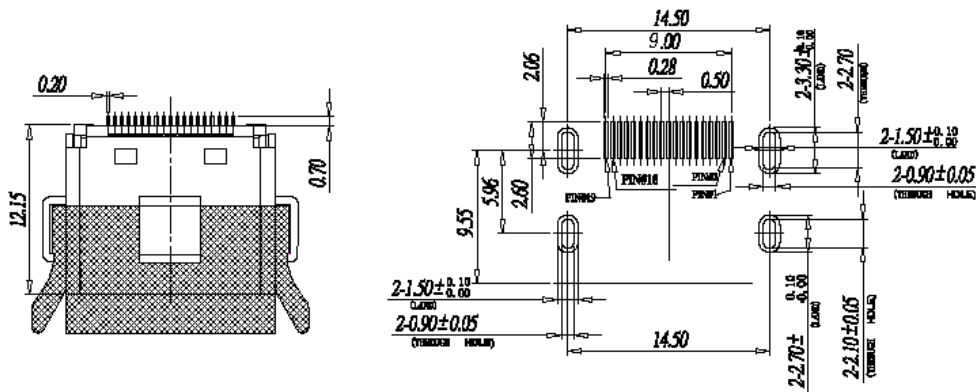
- Short body design saves PCB real estate
- High Definition multimedia interface connector
- Replace existing audio and digit one assembly
- Simple user friendly connector

ELECTICAL:

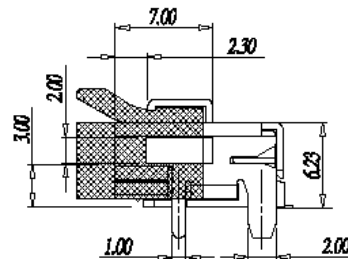
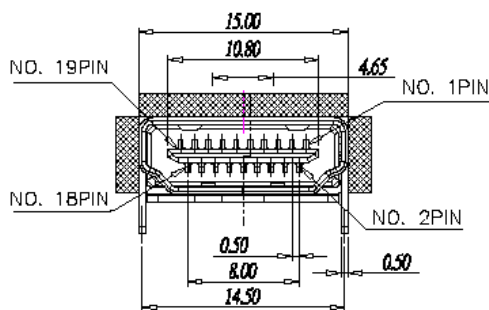
- Insulation resistance: 100 Megohms minimum
- Dielectric withstanding voltage: 500V RMS
- Contact resistance: 30 milliohms maximum
- Operating temperature: -20° C to +85° C
- Current Rating: 0.5 AMP maximum

MATERIAL:

- Housing: LCP, UL94V-O
- Contacts: Phosphor Bronze, Gold/tin plated
- Shield: Copper Alloy, Nickel Plated



RECOMMENDED P. C. B. LAYOUT (T=1.6±0.1)



080118

120 San Lucar Court Sunnyvale, CA 94086
Visit www.regalusa.com

Phone 800/882-8086 Fax 800/345-2831
E-mail hal@regalusa.com