

M1026KS - [*] - MMR Full shield with metal tabs & panel stop

RoHS Compliant

*Number of contacts; Options are:
6C = 6P6C (6 positions, 6 contacts)
8C = 8P8C (8 positions, 8 contacts)

FEATURES:

- Ideal for feed through / panel applications
- 50µ" gold plating for FCC part 68 approval
- Mates with Regal #1001 series

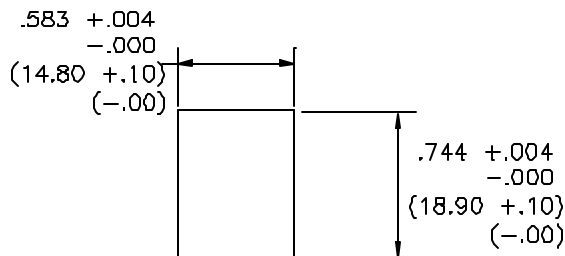
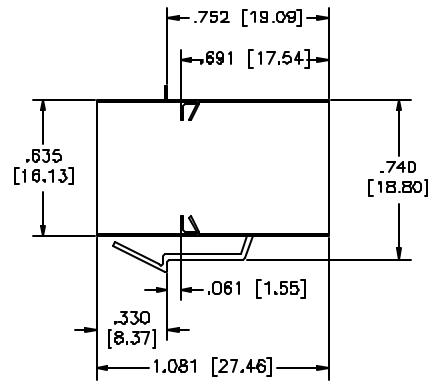
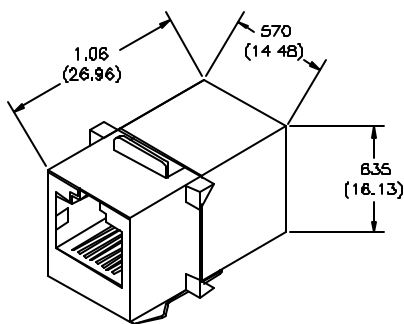
ELECTRICAL:

- Current rating: 2 AMP maximum
- Contact resistance: 20 milliohms maximum
- Insulation resistance: 500 Megohms minimum
- Dielectric withstanding voltage: 1000 VAC minimum

MATERIAL:

- Insulator: UL94V-0 / PBT glass filled
- Contacts: Phosphor bronze
- Plating: 50µ" gold over nickel
- Operating temperature: -40°C to +68°C
- Shield: Tin over steel

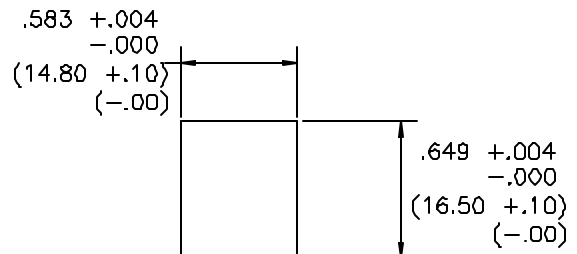
M1026KS-8C-MM



PANEL CUTOUT WITH TAB

FOR THROUGH MOUNTING

Nominal Panel Thickness
 0.060~.062 (1.52~1.57)



PANEL CUTOUT

FOR FLUSH MOUNTING