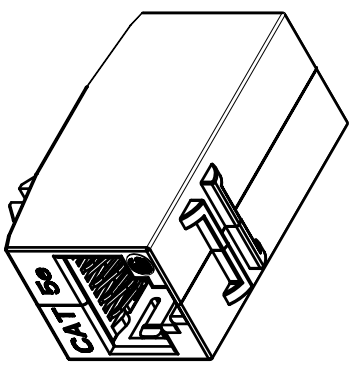
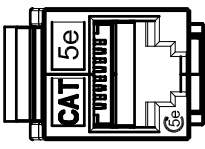
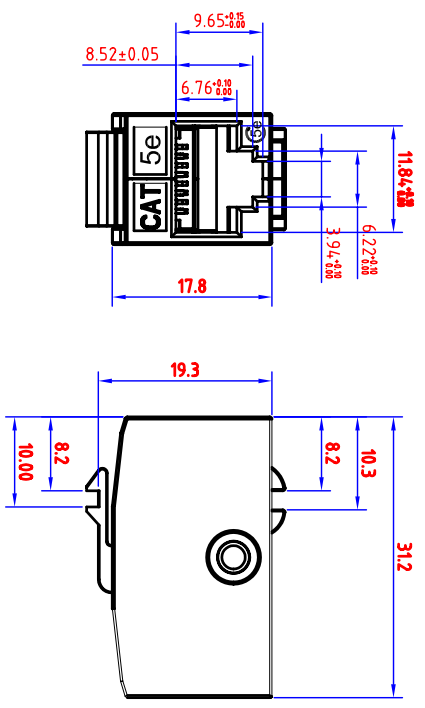
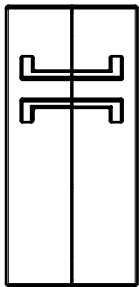


REV	ECO NO.	DATE	BY	APP'D
A	REL TO PRODUCTION PER ECO 001	11/19/09	KL	WEK



COMPONENTS		
4	LATCH	1
3	INSERT MODULE	2
2	JACK HOUSING LEFT	1
1	JACK HOUSING RIGHT	1
ITEM	PART NAME	QTY

**CONFIDENTIAL**



**CAT5e IN-LINE COUPLER**

© Copyright 2009 Regal Electronics, Inc. This drawing is the property of Regal Electronics and contains confidential information, trade secret information and/or know-how which is the property of Regal Electronics. By accepting this drawing, the recipient agrees not to provide, or otherwise make available, the drawing or any information or know-how embodied therein, to any third party without prior written authorization.

**Transmission Performance:**  
 Meet Cat 5e Channel performance requirements specified in TIA/EIA-568-B.2 ENVIRONMENTAL CONDITIONS  
 Temperature Range -40 to +70°C  
 Storage -10 to +60°C  
 Operation -10 to +60°C  
 Relative Humidity (Operational) : Maximum Noncondensing 93%  
**ELECTRICAL**  
 Electrical Insulation Resistance : 500 MOhms min. @ 100V d.c.  
 Dielectric Withstanding Voltage : 1000V d.c. or a.c. Peak Contact to Contact @ 60Hz for 1 minute, 1500V d.c. or a.c. Peak Contact to Panel @ 60Hz for 1 minute  
 Spring Wire Contact Resistance : 20 mOhms Max. IDC Contact Resistance : 2.5 mOhms Max.  
 Current Rating : 1.5A  
**MECHANICAL**  
 Retention : 50N (11 lbf) for 60s±5  
 Insertion / Extraction Life : 750 Cycles Minimum  
**PHYSICAL**  
 Housing : Zinc-alloy fully shielded  
 Spring Wire : Phosphor Bronze Alloy Plated With 50 micro-inch of Gold Over 70~100 micro-inch of Nickel

Tolerance unit: mm	UNIT: mm
.x ±0.20	
.xx ±0.10	

DRAWN: KIM	DATE: 11/19/09	TITLE: CAT5e IN-LINE COUPLER
CHECKED:	DATE:	
ENGINEER:	DATE:	
APPROVED:	DATE:	
APPROVED:	DATE:	
APPROVED:	DATE:	
SCALE: NONE	DRAWING NO. B M1026KS-8S-C5eR	REV A
	SHEET 1 OF 1	