

MDJ-001-[*]P[**] Right angle

* Number of contacts; Options Are:
3, 4, 5, 6, 7, 8

** S = Right angle four sided shield

FEATURES:

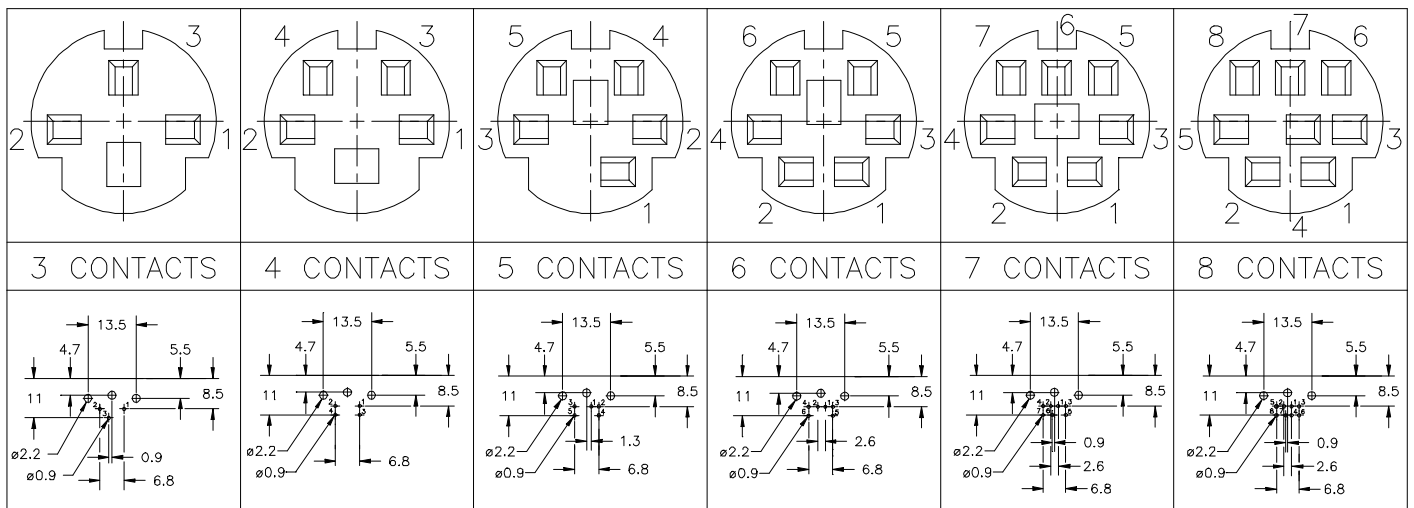
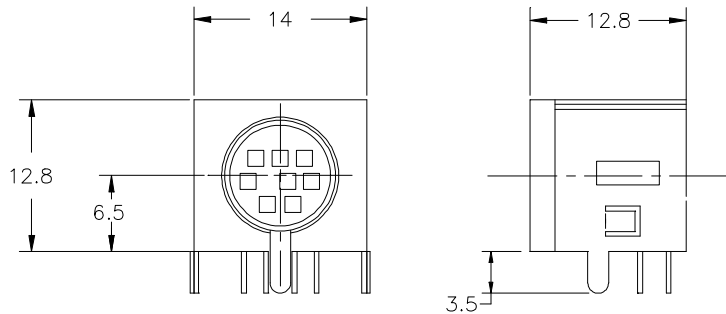
- Compact size
- Polarized and keyed to prevent mismatching
- Accepts plug connectors with or without latches

ELECTRICAL:

- Current rating: 1 AMP maximum
- Insulation resistance : 50 Megohms minimum
- Contact resistance: 30 milliohms maximum
- Dielectric withstanding voltage: 250 VAC minimum

MATERIAL:

- Insulator: UL94V-0 / PBT glass filled
- Contacts: Phosphor Bronze
- Operating Temperature: -55°C To +105°C
- Color: Black



030722