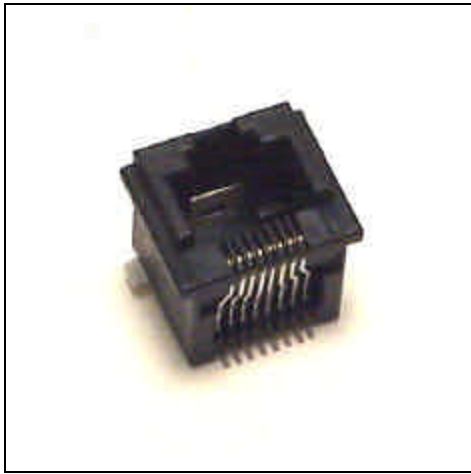


# Modular Jack Top Entry Vertical Surface Mount



**R258-[\*]-SMT** Unshielded with internal ground pin

\*Number of contacts; Options are:  
**4** = 6P4C (6 positions, 4 contacts)  
**6** = 6P6C (6 positions, 6 contacts)  
**8** = 8P8C (8 positions, 8 contacts)

**RoHS Compliant**



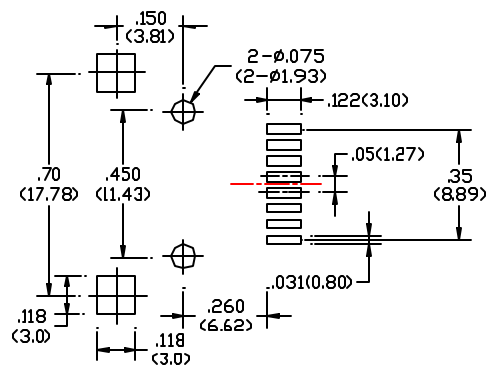
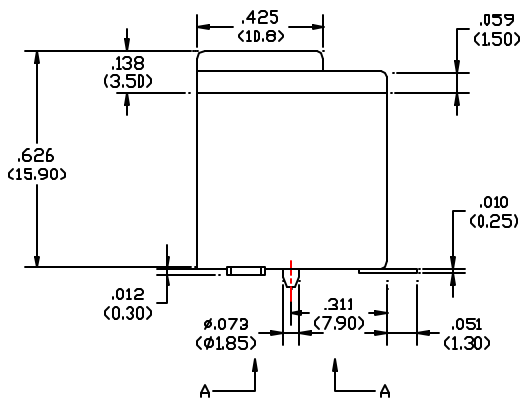
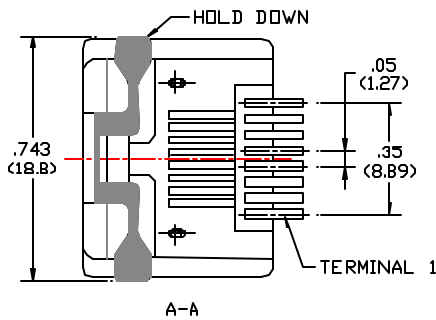
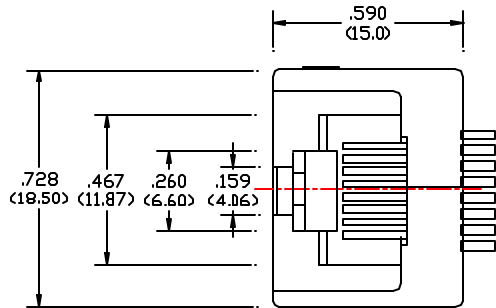
**ELECTRICAL:**

- Dielectric withstanding voltage: 1000 VAC
- Insulation resistance: 500 Megohms minimum
- Contact resistance: 15 milliohms maximum
- Current rating: 1 AMP maximum

**MATERIAL:**

- Housing: UL94V-0 / glass filled
- Contacts: Phosphor bronze
- Plating: 6µ" gold over nickel
- Operating temperature: -55°C to +105°C

**R258-8-SMT**



PCB LAYOUT  
TOP VIEW Tol:±0.05mm