



R4007-[*]
Male

RoHS Compliant

R4008-[*]
Female

*Number of contacts;
Options are:
9, 15, 25, 37, 50

FEATURES:

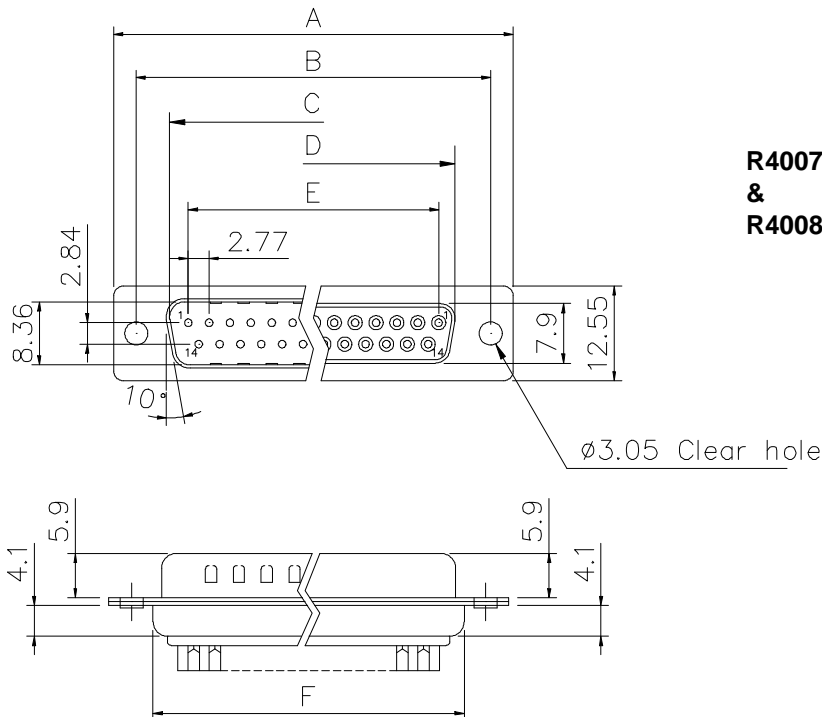
- Pre-loaded solder cup contacts
- Bright tin shell for excellent EMC / Grounding
- Requires no special application tooling
- Five shell sizes
- Indentations on male type for optimum mating retention and grounding

ELECTRICAL:

- Current rating: 5 AMP maximum
- Contact resistance: 15 milliohms maximum
- Insulation resistance: 1000 Megohms minimum
- Dielectric withstanding voltage: 1000 VAC minimum

MATERIAL:

- Insulator: UL94V-0 / PBT glass filled
- Contacts: Pin - Brass, Socket - Phosphor Bronze
- Plating: 6µ" gold over nickel underplate
- Operating temperature: -55°C to +105°C
- Insulator Color: Black
- Shell: Steel, Tin Plated



Dimensions

Positions	A	B	C	D	E	F
9	30.81	24.99	16.92	16.33	11.08	19.20
15	39.14	33.32	25.50	24.66	19.39	27.70
25	53.04	47.04	38.96	38.38	33.24	41.10
37	69.32	63.50	55.42	54.84	49.86	57.30