



**R4009-[\*]**  
Male

**RoHS Compliant**

Standard size

**R4010-[\*]**  
Female

\*Number of contacts;  
Options are:  
**9, 15, 25, 37, 50**

**FEATURES:**

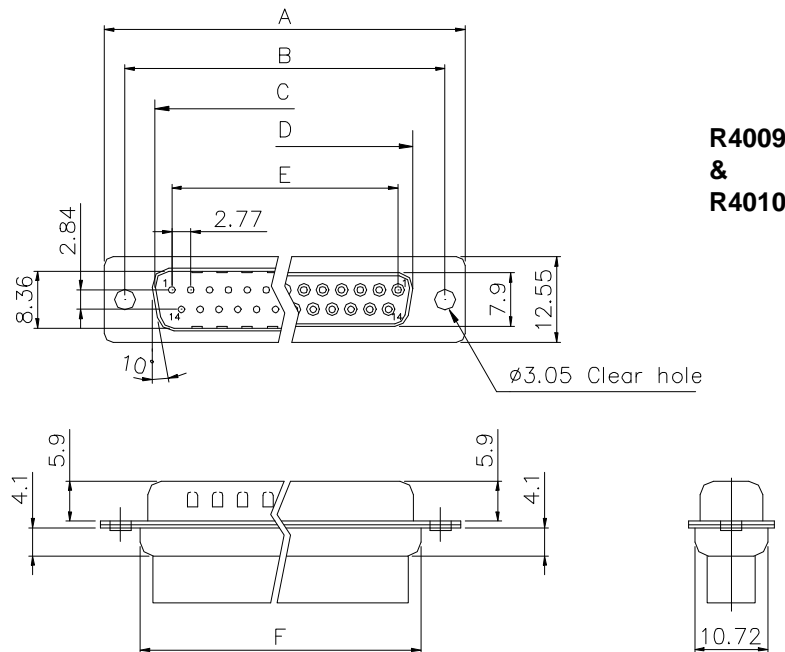
- Bright tin shell for excellent EMC / Grounding
- Five shell sizes
- Indentations on male type for optimum mating retention and grounding
- Rear release design
- Allows for selective loading of contacts
- Mates with all industry standard D-Subminiature connectors
- Designed for low cost / high volume applications

**ELECTRICAL:**

- Current rating: 3 AMP maximum
- Contact resistance: 15 milliohms maximum
- Insulation resistance: 1000 Megohms minimum
- Dielectric withstanding voltage: 1000 VAC minimum

**MATERIAL:**

- Insulator: UL94V-0 / PBT glass filled
- Plating: 6µ" gold over nickel underplate
- Operating temperature: -55°C to +105°C
- Insulator Color: Black
- Shell: Steel, Tin Plated



Dimensions

Positions	A	B	C	D	E	F
9	30.81	24.99	16.92	16.33	11.08	19.20
15	39.14	33.32	25.50	24.66	19.39	27.70
25	53.04	47.04	38.96	38.38	33.24	41.10
37	69.32	63.50	55.42	54.84	49.86	57.30