

- R4011** - Male standard size
- R4012** - Female standard size
- R4111** - Male high density size
- R4112** - Female high density size

RoHS Compliant

FEATURES:

- Precision formed contacts
- Left hand feed reel fits most equipment
- Loose piece or 5000 / per reel
- Fits wire sizes 24 - 28 AWG
- Removable, rear release contacts

Standard size and high density size contacts
Left hand feed, 5,000 contacts/reel standard

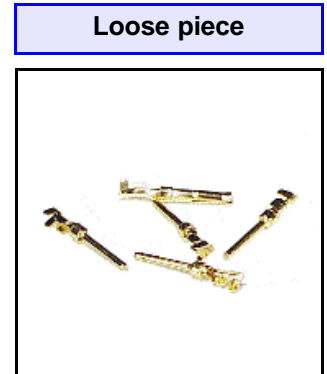
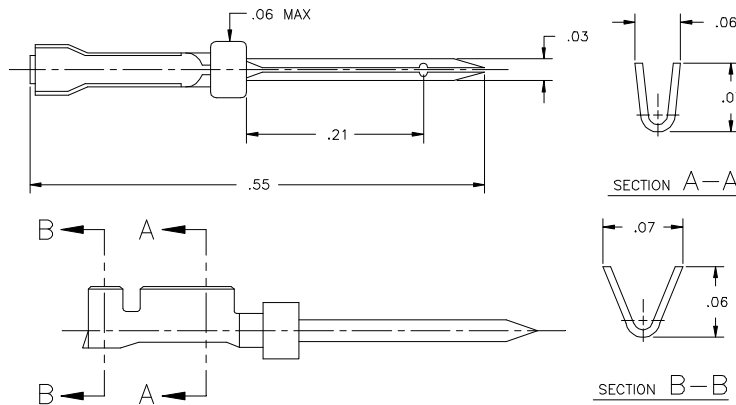
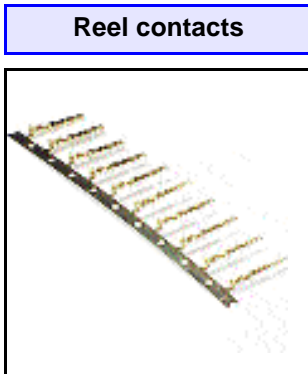
ELECTRICAL:

- Current rating: 5 AMP maximum
- Contact resistance: 15 milliohms maximum

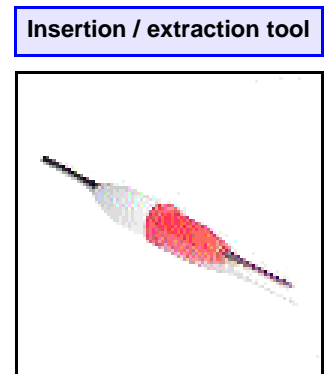
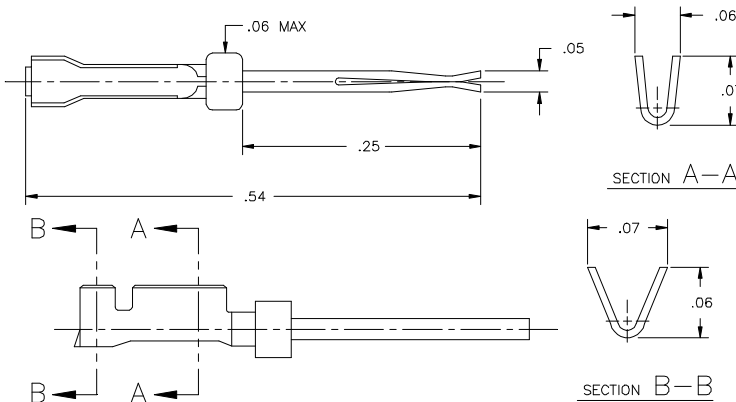
MATERIALS:

- Contacts: Pin = Brass, Socket = Phosphor bronze
- Plating: 6μ" gold over nickel

| Standard contact part numbers | | | | | |
|-------------------------------|-------------------------|--------------|----------------------------|----------------|-----------------------------|
| Regal AWG Wire Size | Strip Form (5,000/Reel) | | Loose Piece (100 per pkg.) | | Insulation Maximum Diameter |
| | Pin | Socket | Pin | Socket | |
| 24-28 | R4011 | R4012 | R4011-L | R4012-L | .040" |



| High density contact part numbers | | | | | |
|-----------------------------------|-------------------------|--------------|----------------------------|----------------|-----------------------------|
| Regal AWG Wire Size | Strip Form (5,000/Reel) | | Loose Piece (100 per pkg.) | | Insulation Maximum Diameter |
| | Pin | Socket | Pin | Socket | |
| 24-28 | R4111 | R4112 | R4111-L | R4112-L | .040" |



080516

120 San Lucar Court ▼ Sunnyvale, CA 94086 ▼ Phone 800/882-8086 ▼ Fax 800/345-2831

Visit www.regalusa.com ▼ E-mail hal@regalusa.com