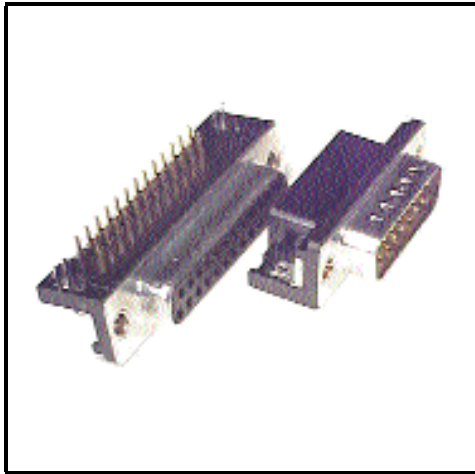


# D-Subminiature - .318" Footprint

RoHS Compliant



**R4019-[\*]BT** Right angle  
Male  
**R4020-[\*]BT**  
Female



\*Number of contacts;  
Options are: **9, 15, 25, 37**

**BT** = Standard with locking forks & 4-40 flush inserts

**FEATURES:**

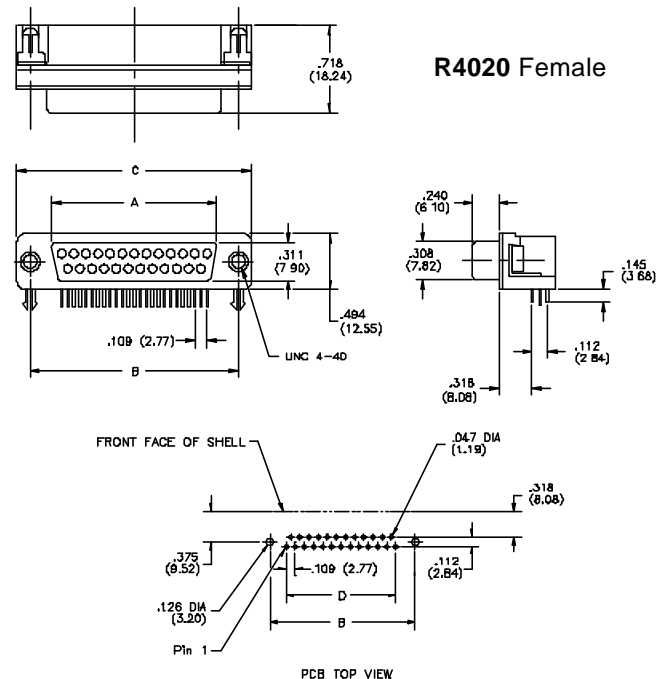
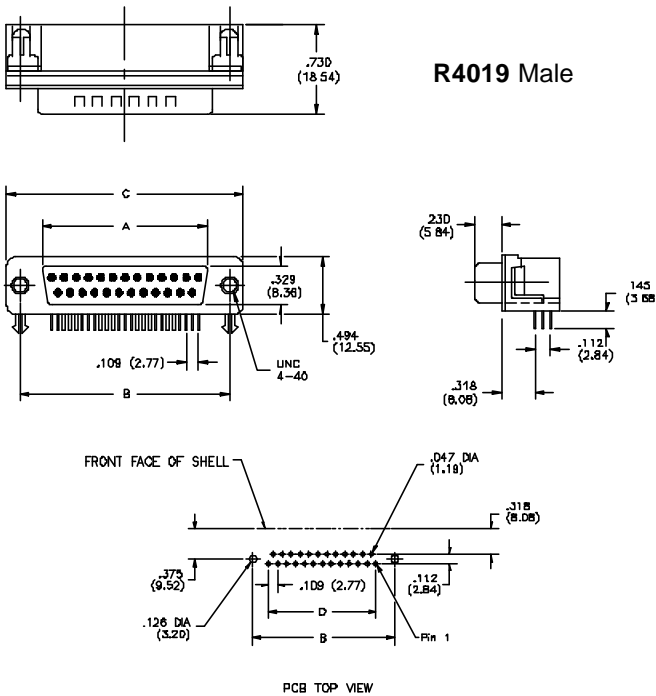
- Bright tin shell for excellent EMC grounding
- Four shell sizes
- Indentations on the male connector for optimum mating retention & grounding
- Preloaded stamped contacts
- Mates with all industry standard D-Subminiatures

**ELECTRICAL:**

- Current rating: 3 AMP maximum
- Contact resistance: 15 milliohms maximum
- Insulation resistance: 1000 Megohms minimum
- Dielectric withstanding voltage: 1000 VAC

**MATERIAL:**

- Shell: Steel, tin plated
- Insulator UL94V-0 / PBT glass filled
- Contacts: Pin = Brass  
Socket = Phosphor bronze
- Plating: 6μ" gold over nickel
- Temperature: -55°C to +105°C
- Color: Black



NO. OF POSITIONS	A ± 0.10(0.25)	B ± 0.05(0.13)	C ± 0.15(0.38)
9	.666 (16.92)	.984 (24.99)	1.216 (30.89)
15	.994 (25.25)	1.312 (33.32)	1.539 (39.10)
25	1.534 (38.96)	1.852 (47.04)	2.090 (53.09)
37	2.182 (55.42)	2.500 (63.50)	2.732 (69.04)

NO. OF POSITIONS	A ± 0.10(0.25)	B ± 0.05(0.13)	C ± 0.15(0.38)	D ± 0.05(0.13)
9	.643 (16.33)	.984 (24.99)	1.216 (30.89)	.431 (10.96)
15	.971 (24.66)	1.312 (33.32)	1.539 (39.10)	.755 (19.18)
25	1.511 (38.38)	1.852 (47.04)	2.090 (53.09)	1.309 (33.24)
37	2.159 (54.84)	2.500 (63.50)	2.732 (69.04)	1.963 (49.86)

080506