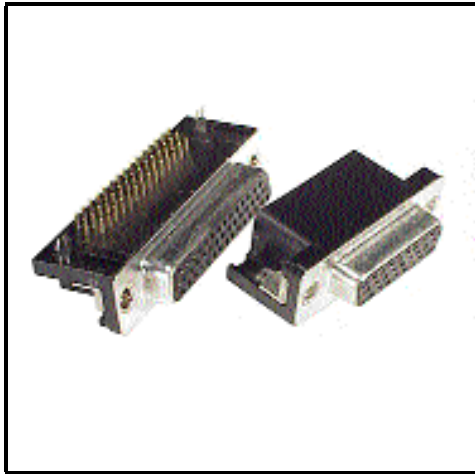


D-Subminiature .350" Footprint High Density

RoHS Compliant



R4027-[*]H
Male
R4028-[*]H
Female

*Number of contacts; Options are:
15, 26, 44, 62

(Ground straps available upon request)

FEATURE:

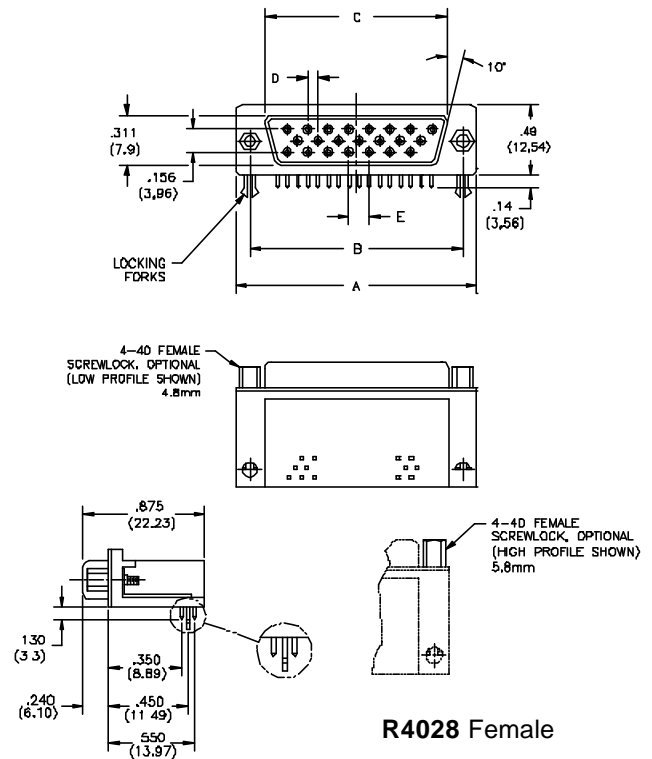
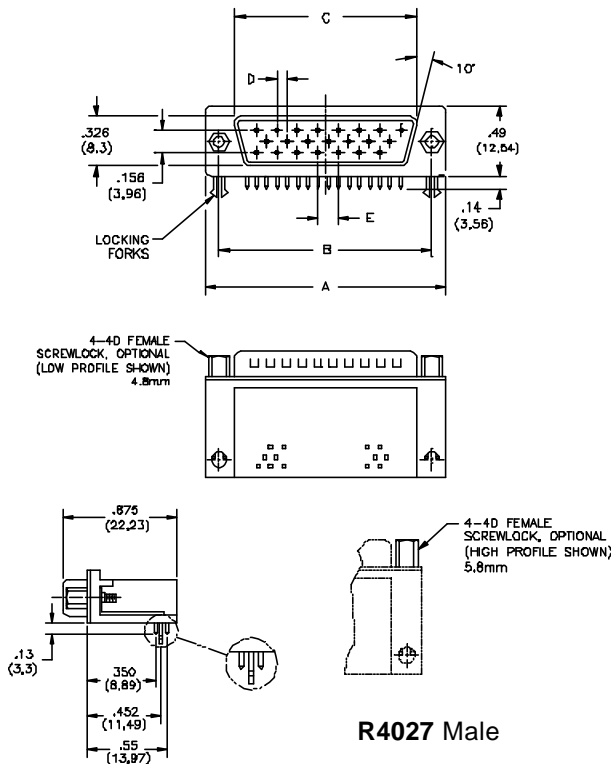
- Bright tin shell for excellent EMC grounding
- Four shell sizes
- Indentations for optimum mating retention & grounding
- Mates with all industry standard D-Subminiature high density connectors

ELECTRICAL:

- Current rating: 5 AMP maximum
- Contact resistance: 10 milliohms maximum
- Insulation resistance: 1000 Megohms minimum

MATERIAL:

- Insulator: UL94V-0 / PBT Glass filled
- Contacts: Pin = Brass
Socket = Phosphor bronze
- Operating temperature: -55°C to +105°C
- Shell: Steel, tin plated
- Plating 6μ" gold



A ±	B ±	C ±	D ±	E ±	Position
0.004 (0.10)	0.005 (0.13)	0.010 (0.25)	0.010 (0.25)	0.010 (0.25)	15P
1.213 (30.80)	0.984 (24.99)	0.665 (16.90)	0.045 (1.14)	0.090 (2.29)	26P
1.539 (39.10)	1.312 (33.32)	0.996 (25.30)	0.045 (1.14)	0.090 (2.29)	44P
2.087 (53.00)	1.852 (47.04)	1.535 (39.00)	0.045 (1.14)	0.090 (2.29)	62P

A ±	B ±	C ±	D ±	E ±	Position
0.004 (0.10)	0.005 (0.13)	0.010 (0.25)	0.010 (0.25)	0.010 (0.25)	15P
1.213 (30.80)	0.984 (24.99)	0.643 (16.33)	0.045 (1.14)	0.090 (2.29)	26P
1.539 (39.10)	1.312 (33.32)	0.971 (24.66)	0.045 (1.14)	0.090 (2.29)	44P
2.087 (53.00)	1.852 (47.04)	1.508 (38.30)	0.045 (1.14)	0.090 (2.29)	62P

080516