

RoHS Compliant



**R4107-[\*]H**  
Male

**R4108-[\*]H**  
Female

\*Number of contacts;  
Options are:  
**15, 26, 44, 62, 78**

**FEATURES:**

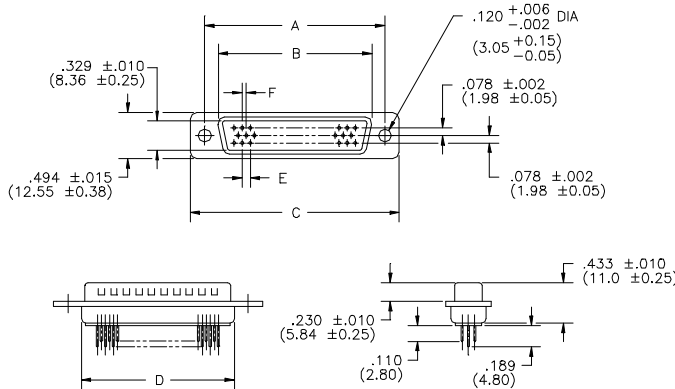
- Bright tin shell for excellent EMC / grounding
- Preloaded solder cup contacts
- Indentations on male type for optimum mating, retention & grounding
- Four shell sizes

**ELECTRICAL:**

- Current rating: 5 AMP maximum
- Contact resistance: 15 milliohms minimum
- Insulation resistance: 1000 Megohms minimum
- Dielectric withstanding voltage: 1000 VAC minimum

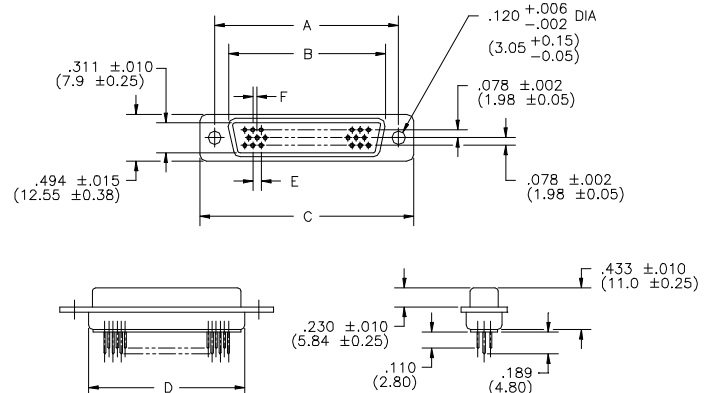
**MATERIAL:**

- Insulator: UL94V-0 / PBT glass filled
- Contacts: Phosphor bronze
- Plating: 6μ" gold over nickel in contact area
- Operating temperature: -55°C to +105°C
- Color: black



**R4107 Male**

NO. OF POS.	A ±.005(0.13)	B ±.010(0.25)	C ±.015(0.38)	D ±.010(0.25)	E ±.002(0.05)	F ±.002(0.05)
15	.984 (24.99)	.666 (16.92)	1.216 (30.89)	.759 (19.28)	.090 (2.29)	.045 (1.14)
26	1.312 (33.32)	.994 (25.25)	1.539 (39.10)	1.083 (27.51)	.090 (2.29)	.045 (1.14)
44	1.852 (47.04)	1.534 (38.96)	2.090 (53.09)	1.625 (41.30)	.090 (2.29)	.045 (1.14)
62	2.500 (63.50)	2.181 (55.42)	2.732 (69.40)	2.272 (57.71)	.095 (2.41)	.047 (1.20)
78	2.41 (61.11)	2.08 (52.81)	2.64 (66.93)	2.18 (55.32)	.095 (2.41)	.047 (1.20)



**R4108 Female**

NO. OF POS.	A ±.005(0.13)	B ±.010(0.25)	C ±.015(0.38)	D ±.010(0.25)	E ±.002(0.05)	F ±.002(0.05)
15	.984 (24.99)	.643 (16.33)	1.216 (30.89)	.759 (19.28)	.090 (2.29)	.045 (1.14)
26	1.312 (33.32)	.971 (24.66)	1.539 (39.10)	1.083 (27.51)	.090 (2.29)	.045 (1.14)
44	1.852 (47.04)	1.511 (38.38)	2.090 (53.09)	1.625 (41.30)	.090 (2.29)	.045 (1.14)
62	2.500 (63.50)	2.16 (54.84)	2.732 (69.40)	2.272 (57.71)	.095 (2.41)	.047 (1.20)
78	2.41 (61.11)	2.06 (52.20)	2.64 (66.93)	2.18 (55.32)	.095 (2.41)	.047 (1.20)