

D-Subminiature High Density Crimp

RoHS Compliant



R4109-[*]H

Male

Crimp style housings, high density 3 and 4 row styles

R4110-[*]H

Female



*Number of contacts;
Options are:
15, 26, 44, 62

FEATURES:

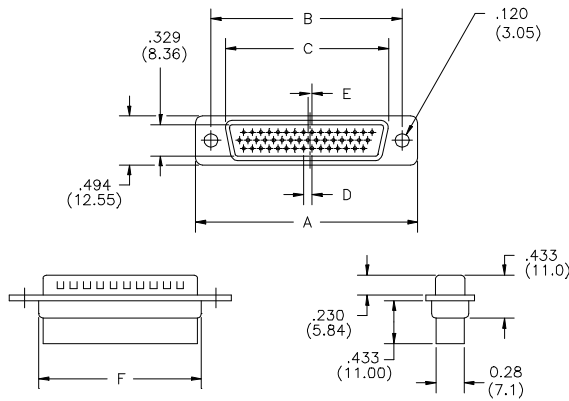
- Bright tin shell for excellent EMC / grounding
- Indentations on male for optimum grounding & retention
- Rear release design
- Allows for selective loading of contacts
- Mates with all industry standard D-Subminiature connectors
- Designed for size 22 contact styles

ELECTRICAL:

- Current rating: 5 AMP maximum
- Contact Resistance: 15 milliohms minimum
- Insulation resistance: 1000 Megohms minimum
- Dielectric withstanding voltage: 1000 VAC minimum

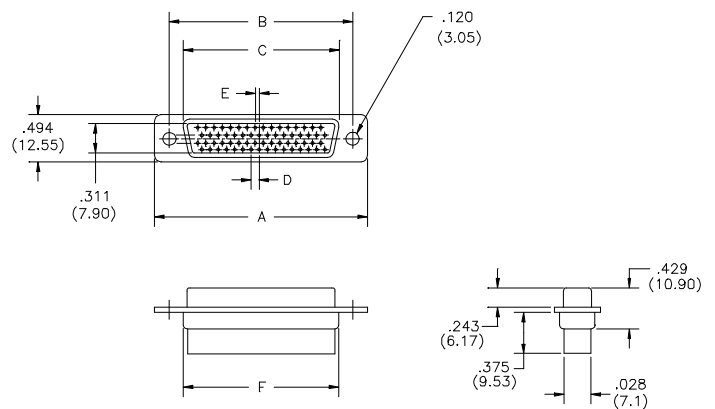
MATERIALS:

- Insulator: UL94V-0 / PBT glass filled
- Operating temperature: -55°C To +105°C
- Color: Black



R4109 Male

NO. OF POS.	A ±.015(0.38)	B ±.005(0.13)	C ±.010(0.25)	D	E	F ±.010(0.25)
15	1.216 (30.89)	.984 (24.99)	.666 (16.92)	.090 (2.29)	.045 (1.14)	.759 (19.28)
26	1.539 (39.10)	1.312 (33.32)	.994 (25.25)	.090 (2.29)	.045 (1.14)	1.083 (27.51)
44	2.090 (53.09)	1.852 (47.04)	1.534 (38.96)	.090 (2.29)	.045 (1.14)	1.625 (41.30)
62	2.732 (69.40)	2.500 (63.50)	2.175 (55.25)	.095 (2.41)	.047 (1.20)	2.272 (57.71)



R4110 Female

NO. OF POS.	A ±.015(0.38)	B ±.005(0.13)	C ±.010(0.25)	D	E	F ±.010(0.25)
15	1.216 (30.89)	.984 (24.99)	.643 (16.33)	.090 (2.29)	.045 (1.14)	.759 (19.28)
26	1.539 (39.10)	1.312 (33.32)	.971 (24.66)	.090 (2.29)	.045 (1.14)	1.083 (27.51)
44	2.090 (53.09)	1.852 (47.04)	1.511 (38.36)	.090 (2.29)	.045 (1.14)	1.625 (41.30)
62	2.732 (69.40)	2.500 (63.50)	2.159 (54.84)	.095 (2.41)	.047 (1.20)	2.272 (57.71)