

R90S-A-S PCB female receptacle straight vertical mount **RoHS Compliant**
 Universal Serial Bus Type A

FEATURES:

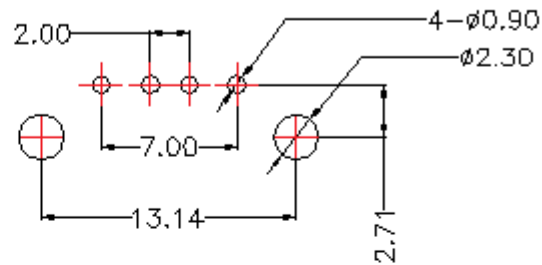
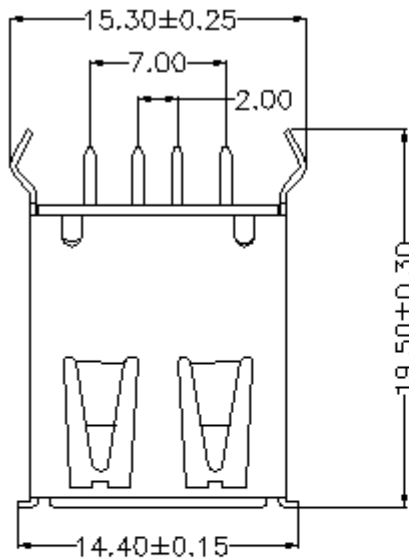
- Staked housing provides excellent solder tail alignment facilitating PCB mounting
- Housing stand offs for anti solder bridging
- Kinked boardlocks provide secure PCB retention

ELECTRICAL:

- Rated current and voltage: 1.0A Max.
- Insulation resistance: 1000 Megohms Min. at 500Vdc
- Contact resistance: 30 Milliohms Max. at 1 Amp.
- Dielectric withstanding voltage: 750 Vac for 1min.
- Operating temperatures: -55°C to 85°C

MATERIALS:

- Insulation: PBT UL94V-0
- Shield: Tin plated over nickel underplate
- Contacts: Phosphor bronze Selective Gold plated
- Solder tails: Tin plated



P.C.B. LAYOUT

