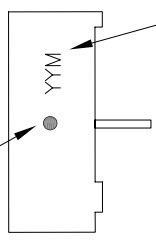
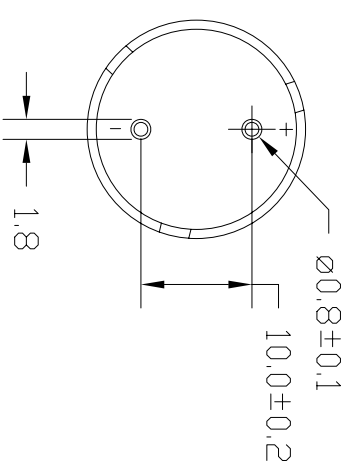
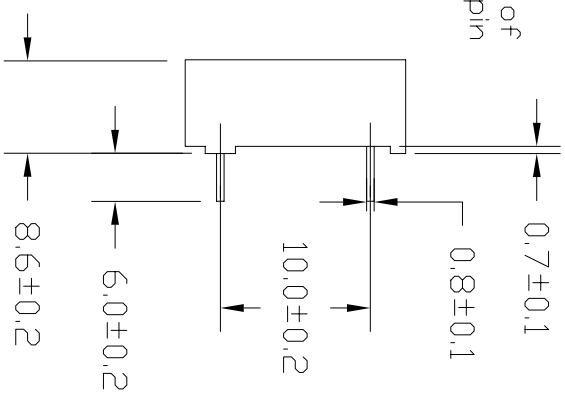
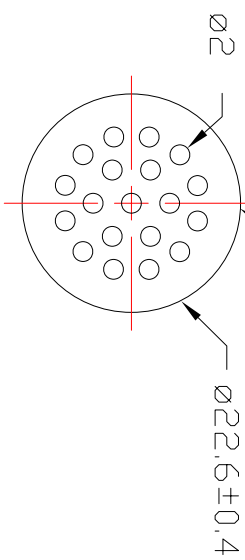


RoHS Compliant

DATE CODE: YYMM ------------  
 YEAR MONTH



White DOT on side of cover by positive pin



Tolerance:  
 x. ±0.4  
 x.x ±0.25  
 x.xx ±0.1  
 UNIT: mm

NOTE:  
 Lead Free Testing Result  
 Black plastic housing – 7ppm  
 Pin – 74ppm  
 Wire and solder – 20ppm

ELECTRICAL CHARACTERISTICS

Rated Impedance (Ohms)	8±15%
Rated Power (W)	0.3
Max. Power Input (W)	0.5
Resonant Frequency (Hz)	1400±20%
Effective Freq. Range	890~11k Hz
Sound Pressure Level (dB)	84±3
Magnet Type	Enclosed
Magnet Size	Ø10x1.5

CONFIDENTIAL

© Copyright 2008 Regal Electronics, Inc.  
 This drawing is the property of Regal Electronics and contains confidential information, trade secret information and/or know-how which is the property of Regal Electronics. By accepting this drawing, the recipient agrees not to provide, or otherwise make available, the drawing or any information or know-how embodied therein, to any third party without prior written authorization.

REV	ECO NO.	DATE	BY	APP'D
F	*" is added on side PER ECO 006	7/02/07	KL	
G	add tolerance PER ECO 007	3/11/08	KL	

DRAWN: KIM	DATE: 5/21/02	TITLE: PCB Mount SPEAKER
CHECKED:	DATE:	
ENGINEER:	DATE:	
APPROVED:	DATE:	
APPROVED:	DATE:	
APPROVED:	DATE:	
SCALE: NONE	DRAWING NO. RE-2308-NL	REV G
SHEET 1	OF 1	



5 4 3 2 1 DWG NO. RE-2308-NL

A B C D