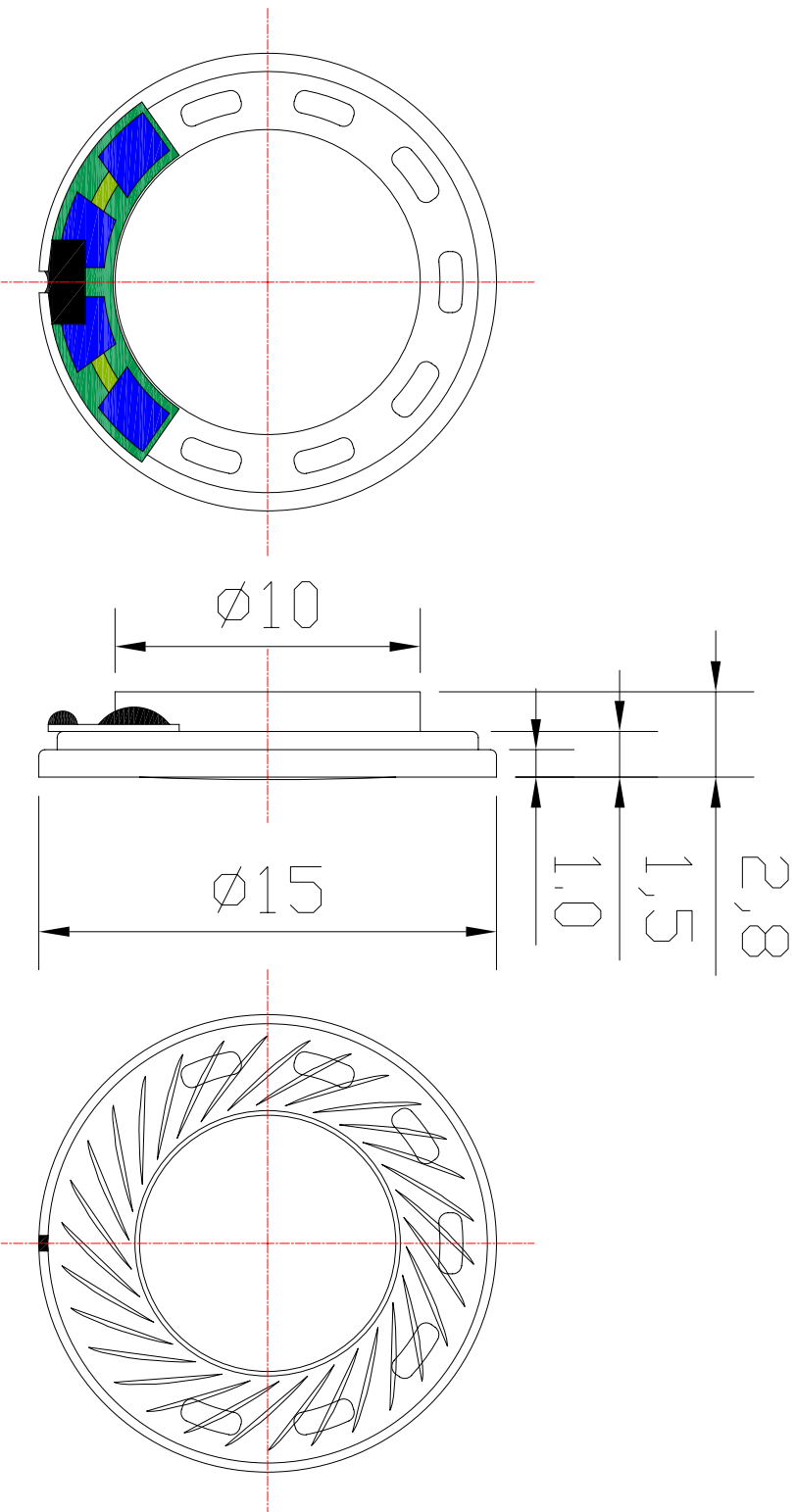


RoHS Compliant

REV	ECO NO.	DATE	BY	APP'D
A	PER ECO 001	6/06/11	KL	



**SPECIFICATIONS:**

- IMPEDANCE:** 8 Ohms  $\pm 15\%$  at 2K  
**SPL:** 90  $\pm 3$ dB at 0.89V/RMS 10cm  
**Fo:** 1040Hz  $\pm 20\%$  at 0.894V  
**FREQUENCY RANGE:** 600Hz – 20KHz  
**INPUT POWER:** Nom. 0.3W  
 Max. (Short Term): 0.5W  
**WORKING TEMPERATURE:**  $-20^{\circ}\text{C} \sim +50^{\circ}\text{C}$   
**STORAGE TEMPERATURE:**  $-25^{\circ}\text{C} \sim +60^{\circ}\text{C}$   
**WEIGHT:** Approx 1.4 gramm

Tolerance:  $\pm 0.2\text{mm}$  UNIT: mm

**CONFIDENTIAL**

© Copyright 2011 Regal Electronics, Inc. This drawing is the property of Regal Electronics and contains confidential information, trade secret information and/or know-how which is the property of Regal Electronics. By accepting this drawing, the recipient agrees not to provide, or otherwise make available, the drawing or any information or know-how embodied therein, to any third party without prior written authorization.

<b>DRAWN:</b>	KIM	<b>DATE:</b>	6/06/11	<b>TITLE:</b>	MICRO SPEAKER
<b>CHECKED:</b>		<b>DATE:</b>		<b>SIZE:</b>	B
<b>ENGINEER:</b>		<b>DATE:</b>		<b>DRAWING NO.:</b>	RHL-15-EMNL
<b>APPROVED:</b>		<b>DATE:</b>		<b>SCALE:</b>	NONE
<b>APPROVED:</b>		<b>DATE:</b>		<b>SHEET</b>	1 of 1
<b>APPROVED:</b>		<b>DATE:</b>		<b>REV</b>	A

