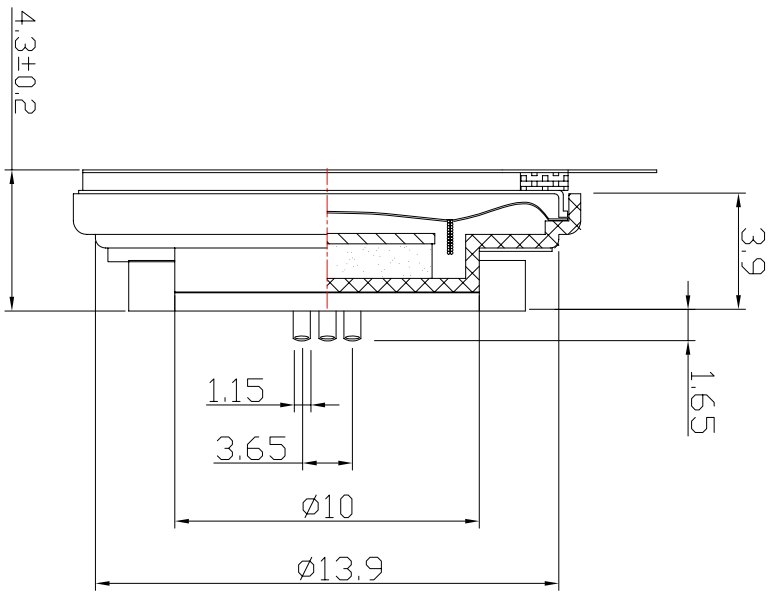
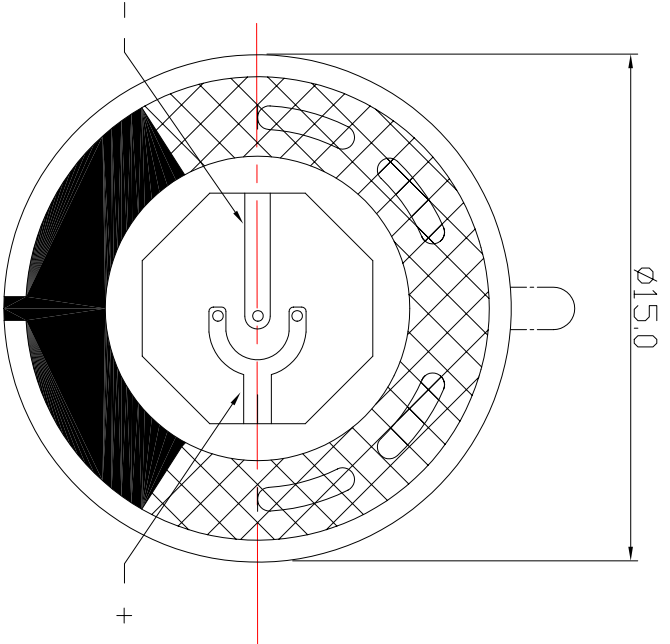


RoHS Compliant

REV	ECO NO.	DATE	BY	APP'D
A	REL TO PRODUCTION PER ECO 001	11/20/06	KL	

DWG NO. RM-1543SP-NL



Tolerance: ±0.3 UNIT: mm

CONFIDENTIAL



SPECIFICATIONS

Rated Input Power	0.7W Max. 1.0W
Impedance	8 Ohms±15% at 1K Hz
Resonant Frequency(F ₀)	1100 Hz±20% at 1V
Sensitivity(SPL)	78dB±3dB at 1w,1m
Frequency Range	620-20K Hz

© Copyright 2006 Regal Electronics, Inc. This drawing is the property of Regal Electronics and contains confidential information, trade secret information and/or know-how which is the property of Regal Electronics. By accepting this drawing, the recipient agrees not to provide, or otherwise make available, the drawing or any information or know-how embodied therein, to any third party without prior written authorization.

DRAWN: KIM	DATE: 11/20/06	TITLE: MICRO SPEAKER WITH SPRING CONTACTS
CHECKED:	DATE:	SIZE: B
ENGINEER:	DATE:	DRAWING NO. RM-1543SP-NL
APPROVED:	DATE:	SCALE: NONE
APPROVED:	DATE:	SHEET 1 of 1
APPROVED:	DATE:	REV A

A B C D 5 4 3 2 1

A B C D 5 4 3 2 1