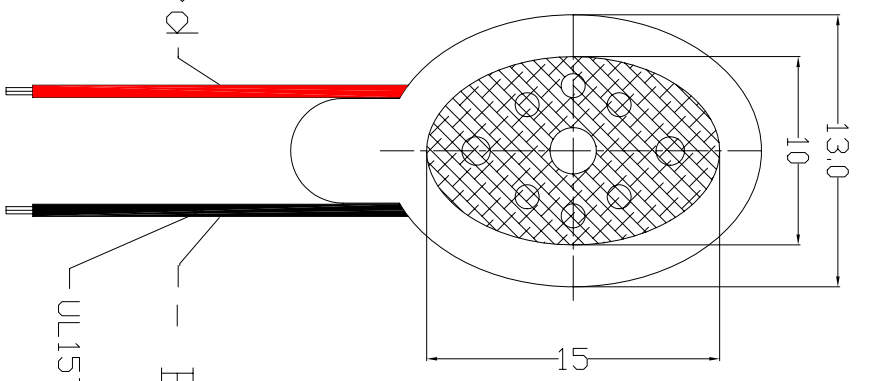
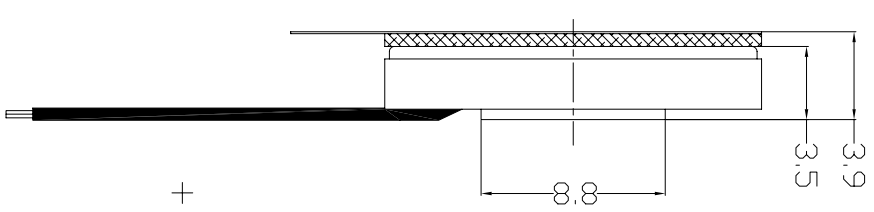
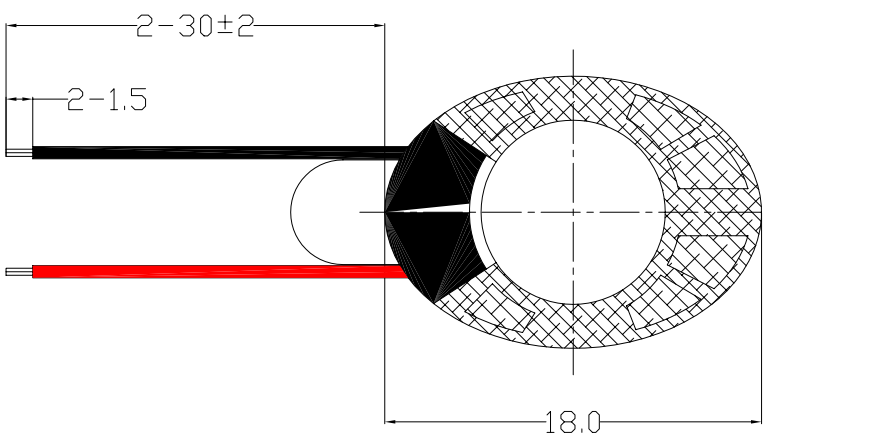


ROHS Compliant

REV	ECO NO.	DATE	BY	APP'D
A	REL TO PRODUCTION PER ECO 001	12/14/06	KL	

DWG NO. RM-1813V39-NL



+ Red
- - Black

UL1571 AWG#32

TOLERANCE: ±0.3 UNIT: mm

C-RM-1813V39-NL

SPECIFICATIONS

Rated Input Power 0.7W Max. 1.0W
 Impedance 8 Ohms±15% at 1K Hz
 Resonant Frequency(F_o) 1080 Hz±20% at 1V
 Sensitivity(SPL) 81dB±3dB at 1w,1m
 Frequency Range 600-20K Hz

CONFIDENTIAL

© Copyright 2006 Regal Electronics, Inc. This drawing is the property of Regal Electronics and contains confidential information, trade secret information and/or know-how which is the property of Regal Electronics. By accepting this drawing, the recipient agrees not to provide, or otherwise make available, the drawing or any information or know-how embodied therein, to any third party without prior written authorization.

DRAWN: KIM	DATE: 12/14/06	TITLE: OVAL SPEAKER
CHECKED:	DATE:	SIZE: B
ENGINEER:	DATE:	DRAWING NO. RM-1813V39-NL
APPROVED:	DATE:	SCALE: NONE
APPROVED:	DATE:	SHEET 1 OF 1
APPROVED:	DATE:	REV A

5 4 3 2 1