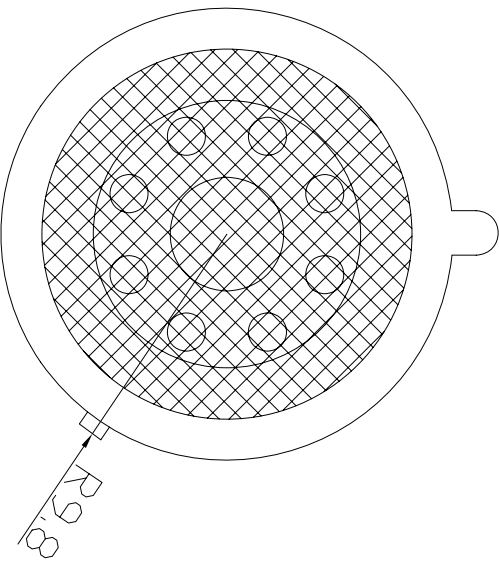
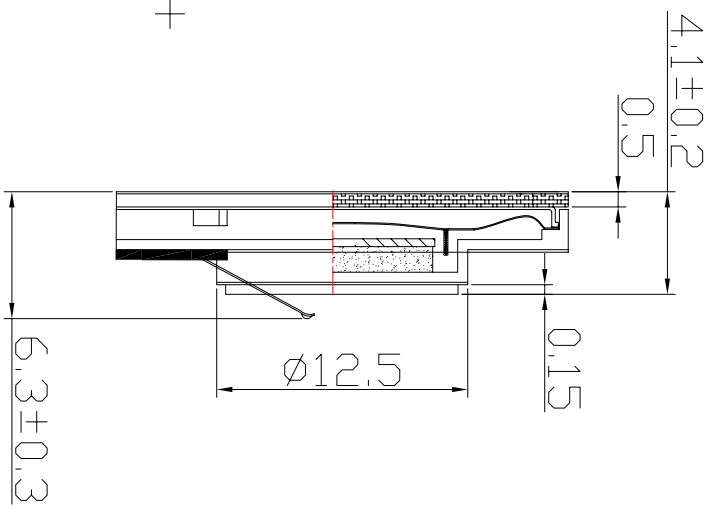
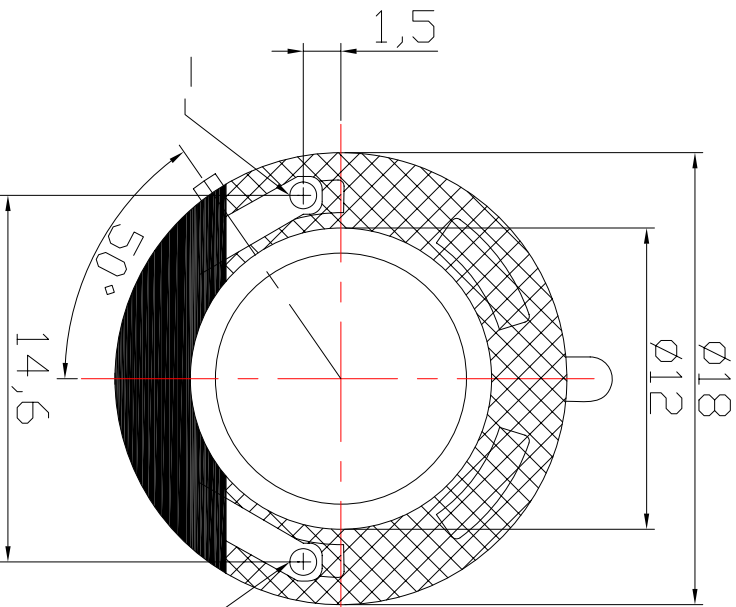


ROHS Compliant

REV	ECO NO.	DATE	BY	APP'D
A	REL TO PRODUCTION PER ECO 001	12/11/06	KL	
B	ADD STICKER PER ECO 001	5/13/11	KL	



SPECIFICATIONS

Rated Impedance 8 Dhms ±15%
 Rated Power 0.5W Max. 0.8W
 Resonant Frequency 1060Hz ±20%
 Effective Freq. Range 640-17K Hz
 SPL (Ref. at 1w,1m) 85±3dB

TOLERANCE: ±0.3 UNIT: mm

CONFIDENTIAL

© Copyright 2006 Regal Electronics, Inc. This drawing is the property of Regal Electronics and contains confidential information, trade secret information and/or know-how which is the property of Regal Electronics. By accepting this drawing, the recipient agrees not to provide, or otherwise make available, the drawing or any information or know-how embodied therein, to any third party without prior written authorization.

DRAWN: KIM	DATE: 12/11/06	TITLE: HIGH POWER MINIATURE SPEAKER WITH SPRING CONTACTS
CHECKED:	DATE:	SIZE: B
ENGINEER:	DATE:	DRAWING NO.: RM-1841SP-NL
APPROVED:	DATE:	SCALE: NONE
APPROVED:	DATE:	SHEET 1 OF 1
REV: B		

