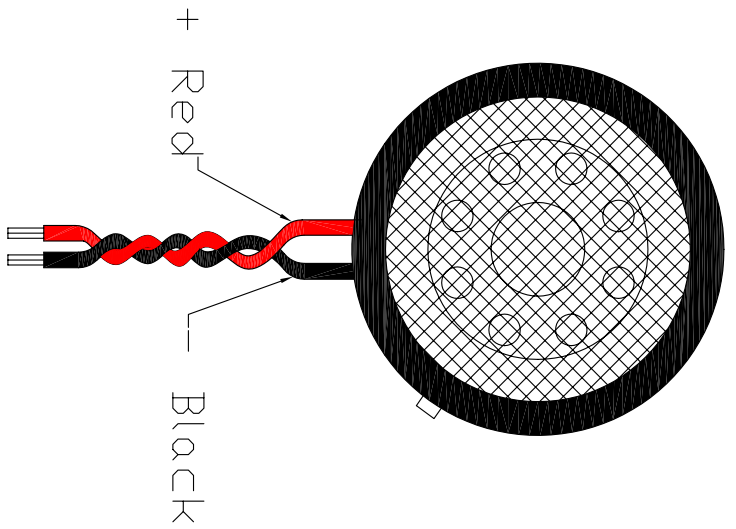
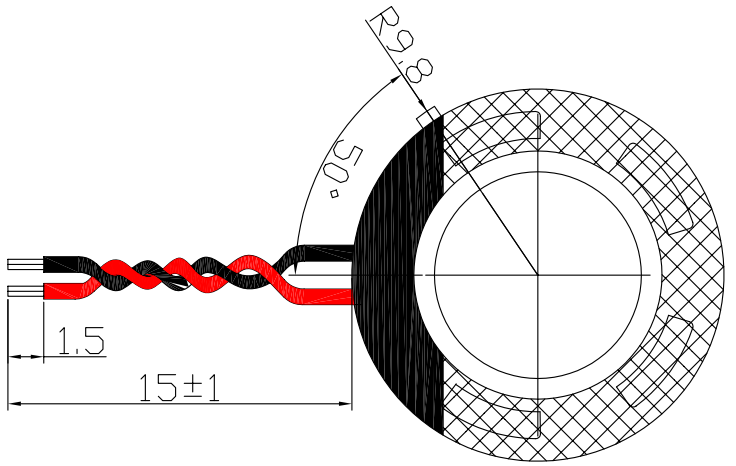
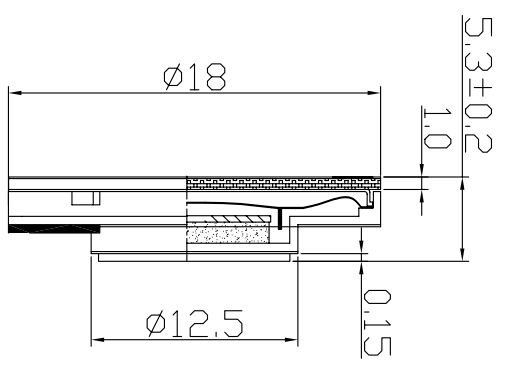


RoHS Compliant

| | | | | |
|-----|-------------------------------|----------|----|-------|
| REV | ECO NO. | DATE | BY | APP'D |
| A | REL TO PRODUCTION PER ECO 001 | 12/11/06 | KL | |



Tolerance: ±0.3 UNIT: mm

CONFIDENTIAL



High Power
Miniature Speaker

© Copyright 2006 Regal Electronics, Inc. This drawing is the property of Regal Electronics and contains confidential information, trade secret information and/or know-how which is the property of Regal Electronics. By accepting this drawing, the recipient agrees not to provide, or otherwise make available, the drawing or any information or know-how embodied therein, to any third party without prior written authorization.

| | | | | | |
|-----------|-----|-------|----------|--------------|------------------------------|
| DRAWN: | KIM | DATE: | 12/11/06 | TITLE: | High Power Miniature Speaker |
| CHECKED: | | DATE: | | SIZE: | B |
| ENGINEER: | | DATE: | | DRAWING NO.: | RM-1853-NL |
| APPROVED: | | DATE: | | SCALE: | NONE |
| APPROVED: | | DATE: | | | |
| APPROVED: | | DATE: | | | |
| | | | | | |

5 4 3 2 1