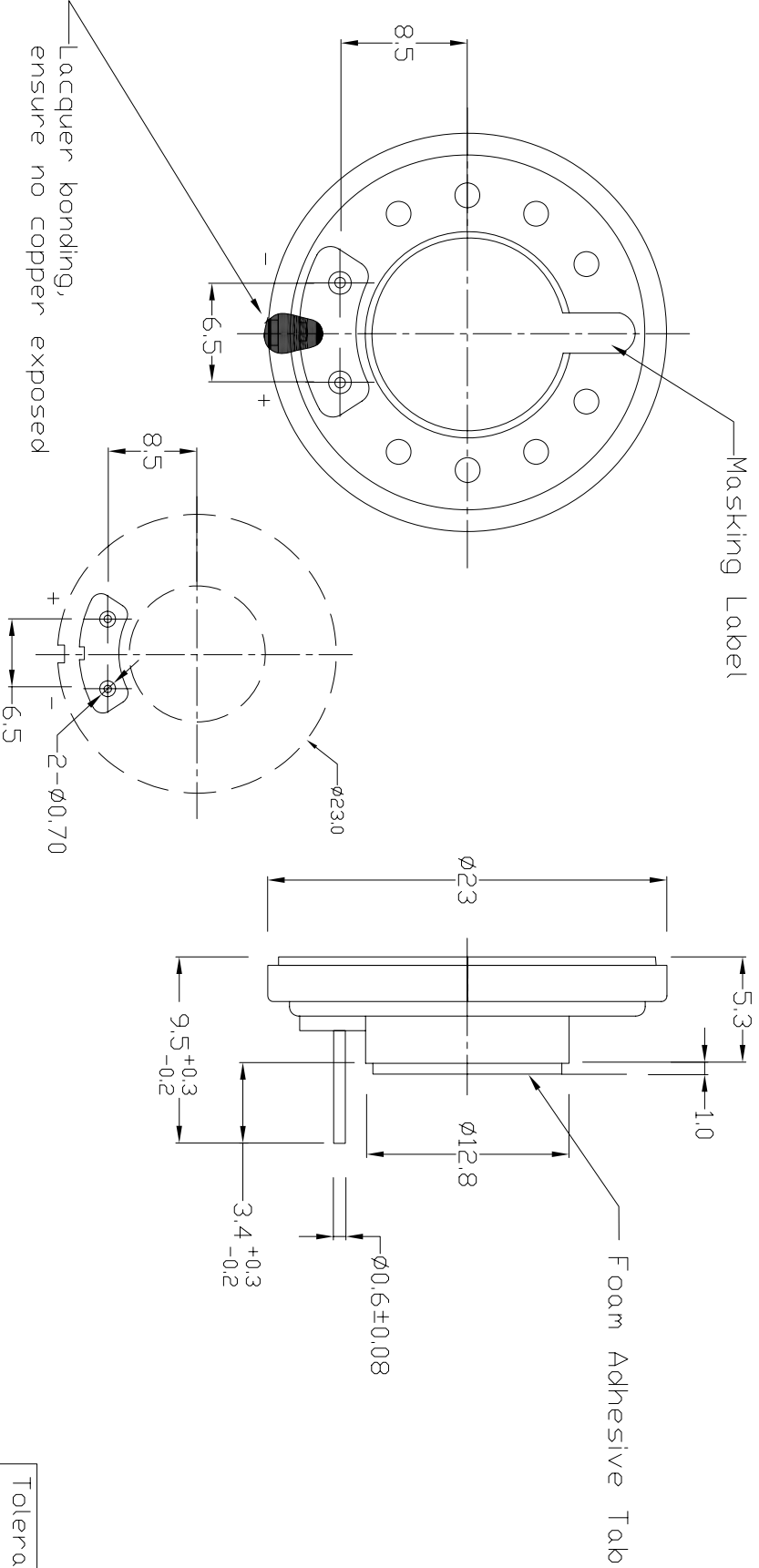


This component and all homogeneous subcomponents are RoHS compliant

REV	ECO NO.	DATE	BY	APP'D
0	ADD INFO. PER ECO 013	10/3/07	KL	
P	8.5 change to 9.5 PER ECO 014	03/07/08	KL	



SPECIFICATIONS

Rated Impedance 8 Ohms $\pm 15\%$
 Rated Power 0.3W Max. 0.6W
 Resonant Frequency 700Hz $\pm 20\%$
 Effective Freq. Range 420-20K Hz
 SPL 80 ± 3 dB

CONFIDENTIAL

© Copyright 2008 Regal Electronics, Inc. This drawing is the property of Regal Electronics and contains confidential information, trade secret information and/or know-how which is the property of Regal Electronics. By accepting this drawing, the recipient agrees not to provide, or otherwise make available, the drawing or any information or know-how embodied therein, to any third party without prior written authorization.

REGAL ELECTRONICS INC.

SPEAKER

TITLE: SPEAKER

DATE: 6/9/05

DRAWN: KIM

CHECKED: DATE

ENGINEER: DATE

APPROVED: DATE

APPROVED: DATE

APPROVED: DATE

SCALE: NONE

DRAWING NO. RPC-23-E-NL

REV P

Tolerance	
x.x	± 0.2
x.x.x	± 0.3

UNIT: mm