

5

4

3

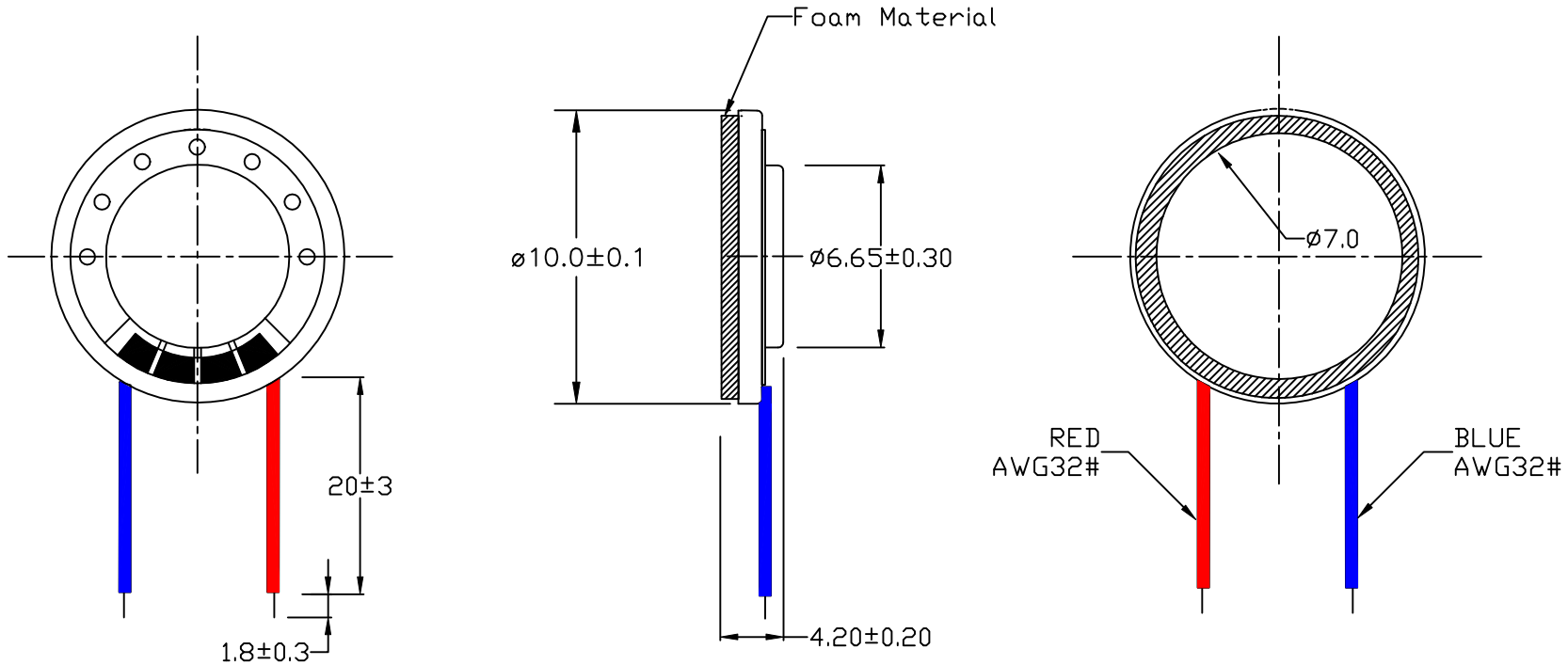
2

1

DWG NO. RR-1000A

RoHS Compliant

REV	ECO NO.	DATE	BY	APP'D
A	REL TO PRODUCTION PER ECO 001	2/5/04	KL	
B	RoHS Compliant PER ECO 002	2/6/06	KL	SB



SPECIFICATIONS:

IMPEDANCE: 32 Ohms  $\pm 20\%$   
 NOMINAL INPUT LEVEL: 10 mW  
 MAX. INPUT LEVEL: 50 mW  
 FREQUENCY RANGE: 100Hz - 4kHz  
 SENSITIVITY: 2cc Coupler 110  $\pm 3$ dB AT 1KHz  
 HIGH TEMPERATURE: +70°C  $\pm 3$ °C 6 Hours  
 LOW TEMPERATURE: -20°C  $\pm 3$ °C 6 Hours  
 HUMIDITY: 90-95% at +40°C 24H  
 WEIGHT: 1 gramm

UNIT: mm

CONFIDENTIAL



© Copyright 2006 Regal Electronics, Inc. This drawing is the property of Regal Electronics and contains confidential information, trade secret information and/or know-how which is the property of Regal Electronics. By accepting this drawing, the recipient agrees not to provide, or otherwise make available, the drawing or any information or know-how embodied therein, to any third party without prior written authorization.

DRAWN: KIM	DATE: 2/5/04
CHECKED:	DATE:
ENGINEER:	DATE:
APPROVED:	DATE:
APPROVED:	DATE:
APPROVED:	DATE:

TITLE: MICRO SPEAKER		
SIZE: B	DRAWING NO. RR-1000A	REV: B
SCALE: NONE	SHEET 1 OF 1	

5

4

3

2

1

RR-1000A