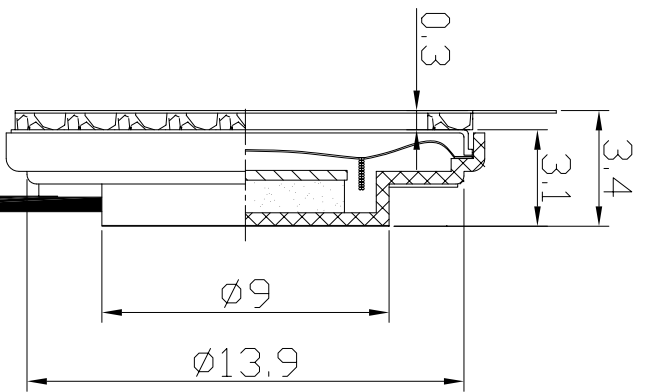
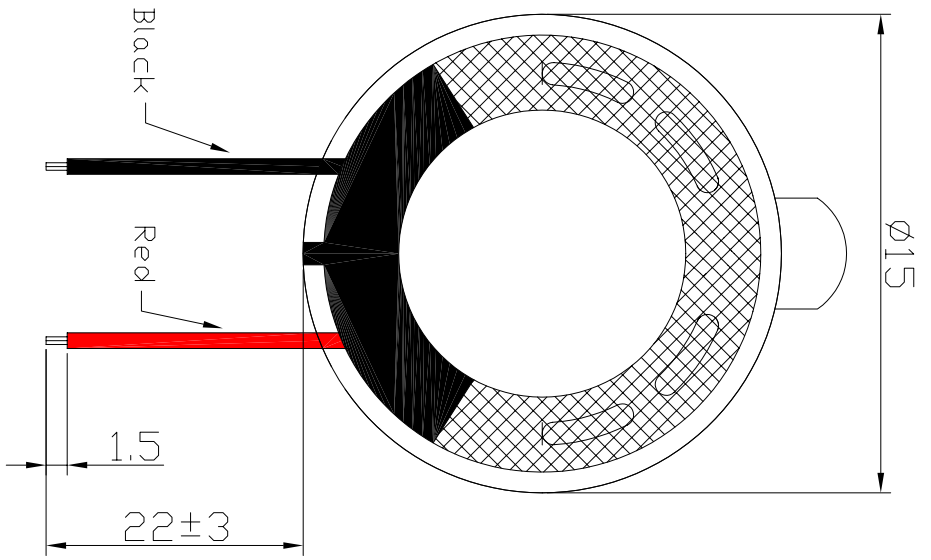


RoHS Compliant

REV	ECO NO.	DATE	BY	APP'D
A	REL TO PRODUCTION PER ECO 001	7/12/07	KL	

DWG NO. RS-1534A-NL



Tolerance: ±0.3 UNIT: mm

CONFIDENTIAL



SPECIFICATIONS

Rated Input Power 0.5W Max. 1.0W
 Impedance 8 Ohms±15% at 1K Hz
 Resonant Frequency(Fo) 1040 Hz±20% at Fo,1V
 Sensitivity(SPL) 77dB±3dB @ Ref. 1w,1m
 Frequency Range 600-20K Hz

© Copyright 2007 Regal Electronics, Inc.
 This drawing is the property of Regal Electronics and contains confidential information, trade secret information and/or know-how which is the property of Regal Electronics. By accepting this drawing, the recipient agrees not to provide, or otherwise make available, the drawing or any information or know-how embodied therein, to any third party without prior written authorization.

DRAWN: KIM	DATE: 7/12/07	TITLE: MICRO SPEAKER
CHECKED:	DATE:	SIZE: B
ENGINEER:	DATE:	DRAWING NO. RS-1534A-NL
APPROVED:	DATE:	SCALE: NONE
APPROVED:	DATE:	SHEET 1 OF 1
APPROVED:	DATE:	REV A

5 4 3 2 1