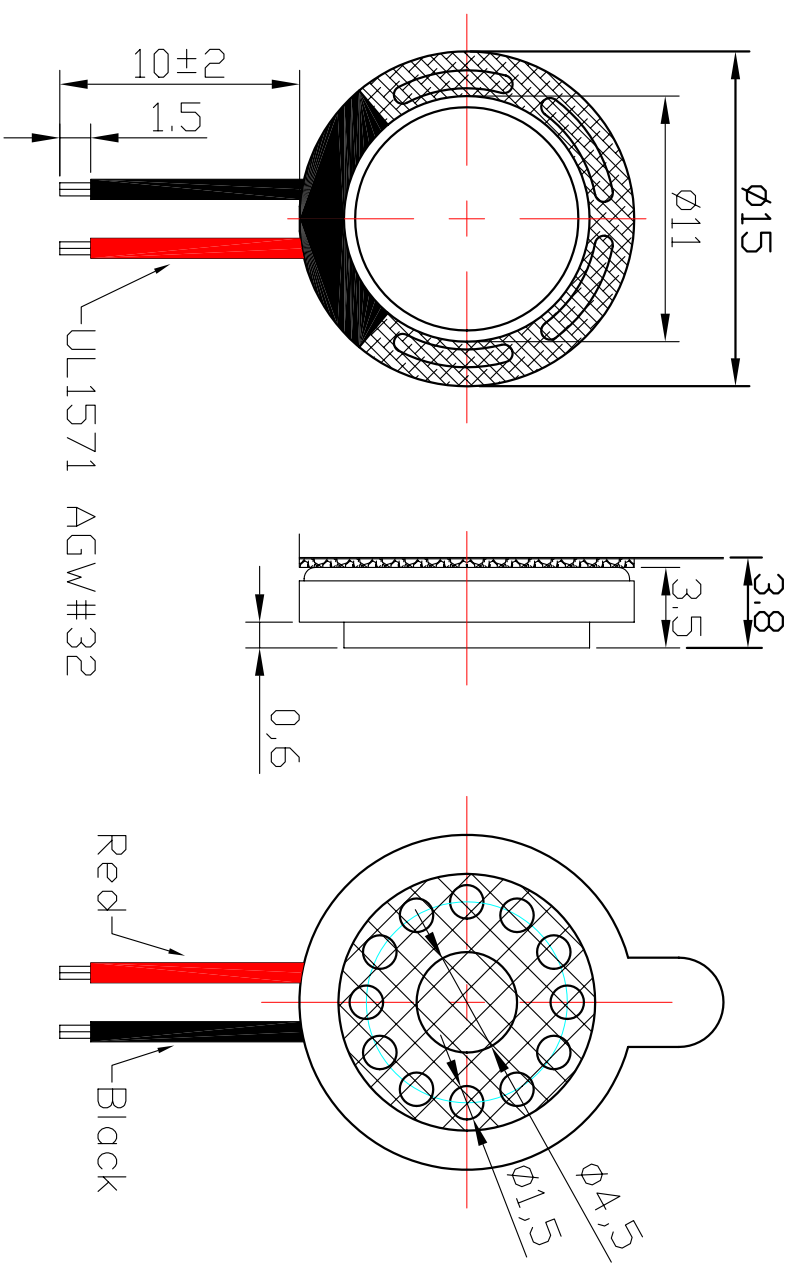


RoHS Compliant

REV	ECO NO.	DATE	BY	APP'D
A	REL TO PRODUCTION PER ECO 001	11/20/06	KL	



CONFIDENTIAL



© Copyright 2006 Regal Electronics, Inc. This drawing is the property of Regal Electronics and contains confidential information, trade secret information and/or know-how which is the property of Regal Electronics. By accepting this drawing, the recipient agrees not to provide, or otherwise make available, the drawing or any information or know-how embodied therein, to any third party without prior written authorization.

DRAWN:	DATE:	TITLE:	SCALE:
KIM	11/20/06	ALTERNATE MODE Speaker/Receiver	NONE
CHECKED:	DATE:	SIZE:	DRAWING NO.:
ENGINEER:	DATE:	B	RSR-1538-NL
APPROVED:	DATE:	REV:	A
APPROVED:	DATE:	SHEET:	1 of 1

5 4 3 2 1

A B C D

A B C D