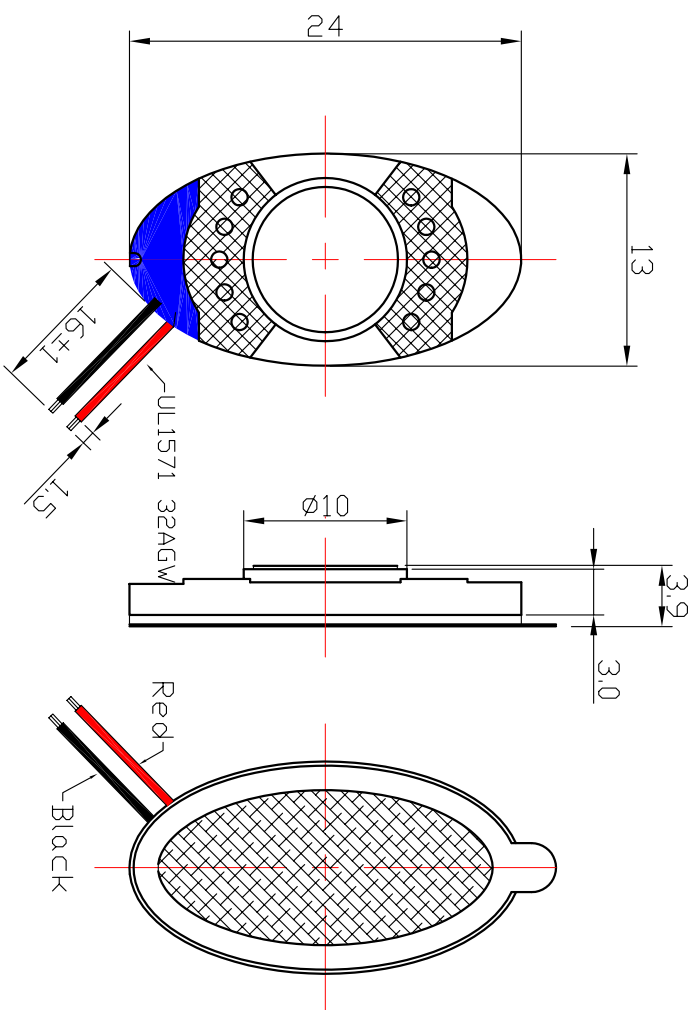


RoHS Compliant

REV	ECO NO.	DATE	BY	APP'D
A	REL TO PRODUCTION PER ECO 001	12/11/06	KL	



TOLERANCE: ±0.3 UNIT: mm

CONFIDENTIAL



© Copyright 2006 Regal Electronics, Inc. This drawing is the property of Regal Electronics and contains confidential information, trade secret information and/or know-how which is the property of Regal Electronics. By accepting this drawing, the recipient agrees not to provide, or otherwise make available, the drawing or any information or know-how embodied therein, to any third party without prior written authorization.

DRAWN:	KIM	DATE	11/17/06	TITLE:	ALTERNATE MODE OVAL SPEAKER/RECEIVER
CHECKED:		DATE		SIZE:	B
ENGINEER:		DATE		DRAWING NO.:	RSR-2413V39-NL
APPROVED:		DATE		SCALE:	NONE
APPROVED:		DATE		SHEET	1 of 1
APPROVED:		DATE		REV	A

5

4

3

2

1

A

B

C

D

5

4

3

2

1

A

C-RSR-2413V39-NL